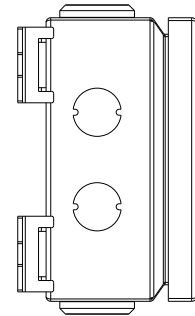
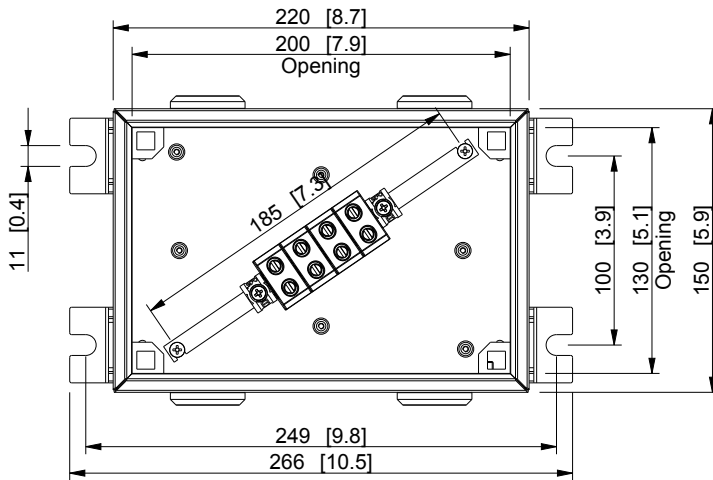
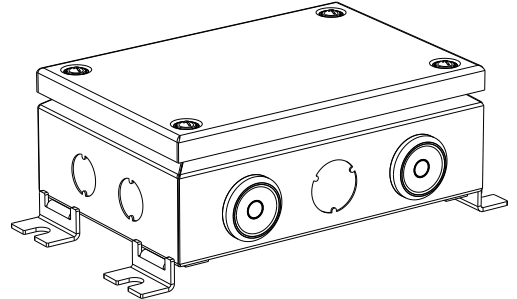
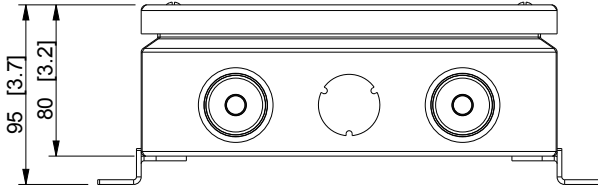
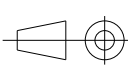


| ID | Description | Date | By | Appr. |
|----|-------------|----------|------|-------|
| A | | 01.03.15 | PKos | |



Dimensions in mm [inches]

| | | | | | |
|---|---|---------|---|--|--------------------|
| model drawing FPT2215FE416 PART PROCUS_FPT2215FE DRAWING | Material: Mild steel, polyester painted | | Color: RAL2003 | Weight (kg): 2.107 | |
| |  Ensto Finland Oy Ensto Industrial Solutions | |  | 220x150mm, Fe, 4xKR16 Fire safety box | |
| | | | | | Replaces: |
| | Replaced: | | | | |
| | Scale | Date | 27.02.15 | | Drw No: A |
| | 1:4 | By | PKos | | Ref: FPT |
| | - | Checked | | | Code: FPT2215FE416 |
| - | Ctrl | | Sheet No: | | |