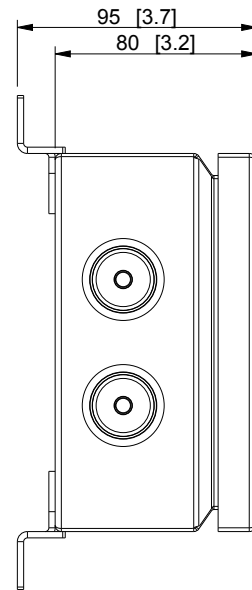
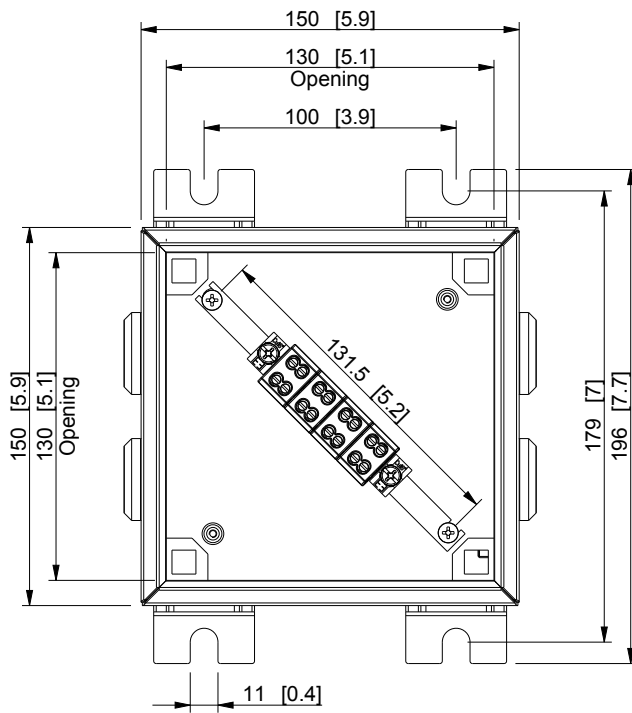
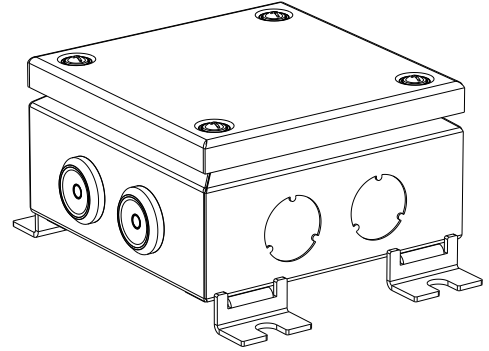
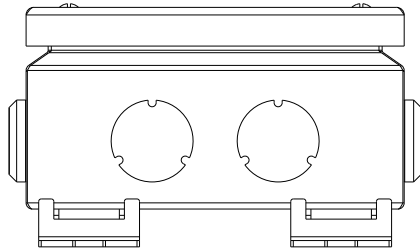

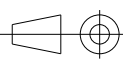


ID	Description	Date	By	Appr.
A		27.02.15	PKos	



Dimensions in mm [inches]

model FPT1515FE46_4-PART drawing PROCUS_FPT1515FE DRAWING	Material: Mild steel, polyester painted		Color: RAL2003	Weight (kg): 1.619	
	 Ensto Finland Oy Ensto Industrial Solutions			Replaces:	
				Replaced:	
	Scale	Date	150x150mm, Fe, 4xKR6.4		Drw No: A
	1:3	By			Ref: FPT
	-	Checked			Code: FPT1515FE46_4
	-	Ctrl			Sheet No:
Fire safety box					