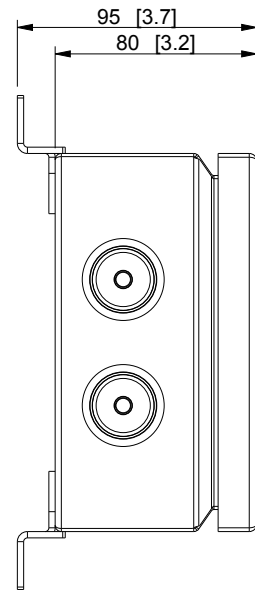
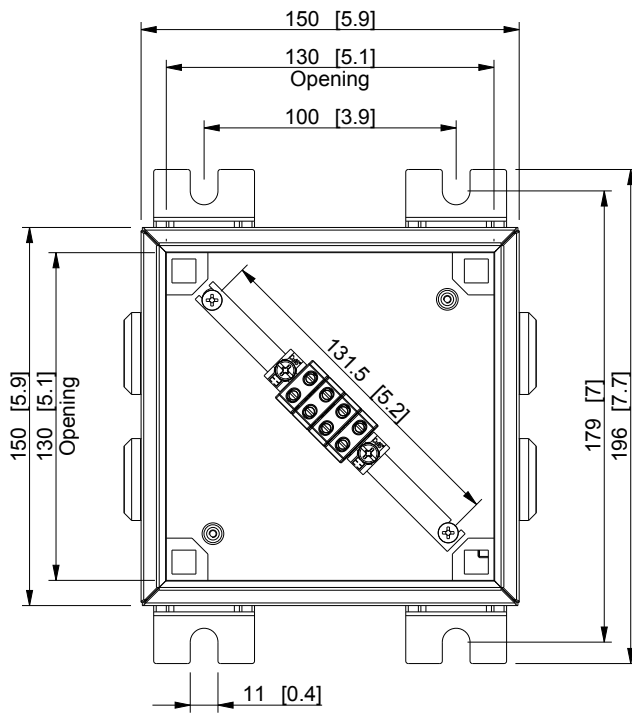
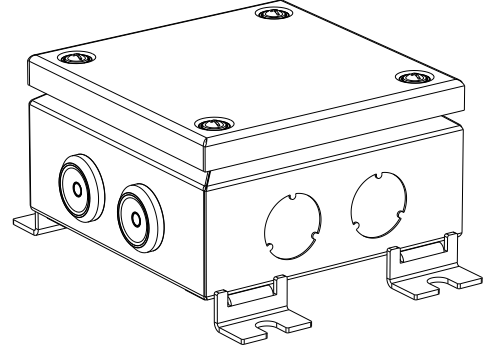
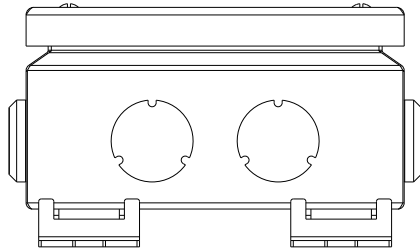


ID	Description	Date	By	Appr.
A		27.02.15	PKos	



Dimensions in mm [inches]

model FPT1515FE46 PART drawing PROCUS_FPT1515FE DRAWING	Material: Mild steel, polyester painted		Color: RAL2003	Weight (kg): 1.563	
	 ENSTO Ensto Finland Oy Ensto Industrial Solutions			150x150mm, Fe, 4xKR6	
					Fire safety box
	Scale	Date	27.02.15		
	1:3	By	PKos		
	-	Checked			
	-	Ctrl			
				Replaces:	
				Replaced:	
				Drw No: A	
				Ref: FPT	
				Code: FPT1515FE46	
				Sheet No:	