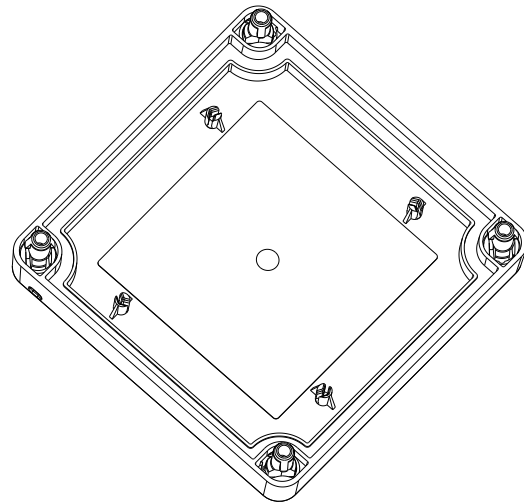
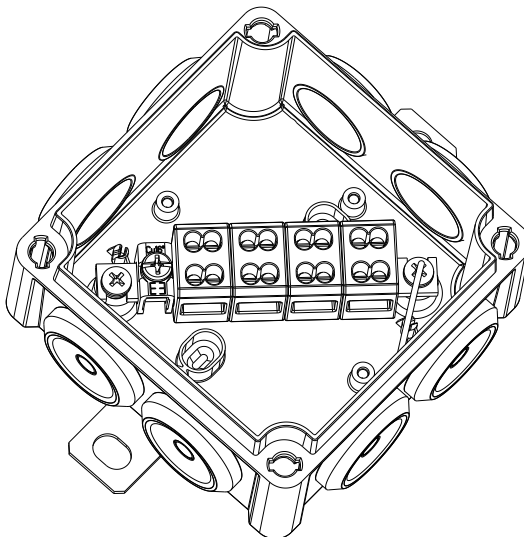
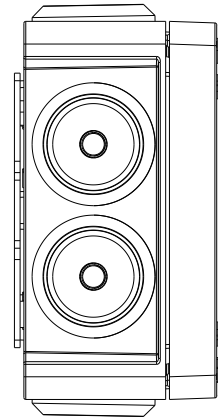
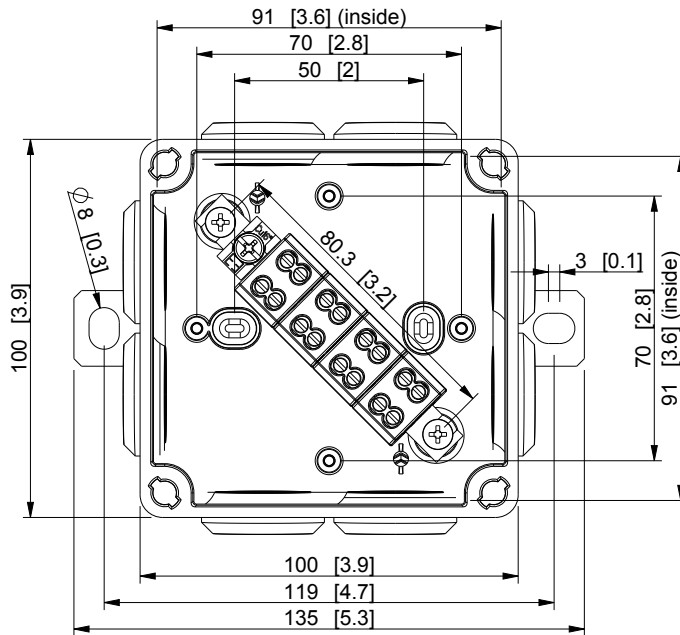
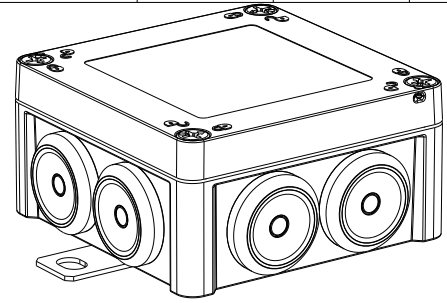
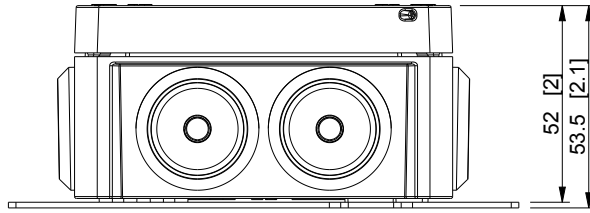


ID	Description	Date	By	Appr.
A		29.03.15	PKos	
B	Updated dimensions	28.12.15	TK	



Dimensions in mm [inches]

model FPT1010PP46_4 PART drawing PR_FPT1010PP DRAWING	Material: PP		Color: RAL2003	Weight (kg): 0.193	
	 ENSTO Ensto Finland Oy Ensto Industrial Solutions			Replaces:	
				Replaced:	
	Scale	Date	100x100mm, PP, 4xKR6.4		
	1:2	24.02.15	Fire safety box		
	-	By			Drw No: B
	-	AKu			Ref: Fire safety box
	Checked	Code: FPT1010PP46_4			
	Ctrl	Sheet No:			