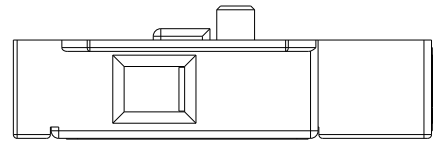
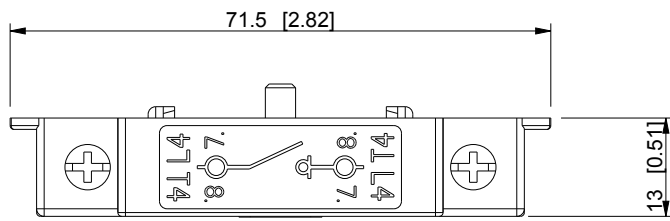
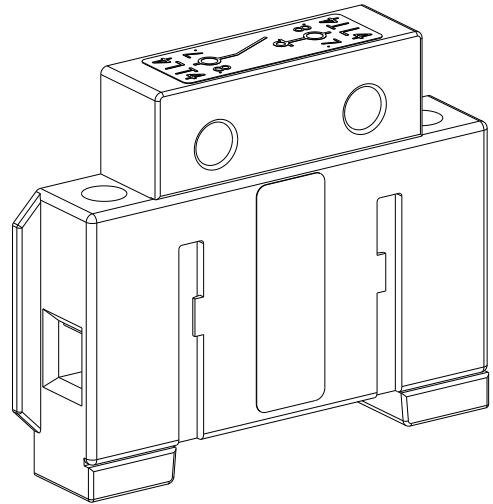
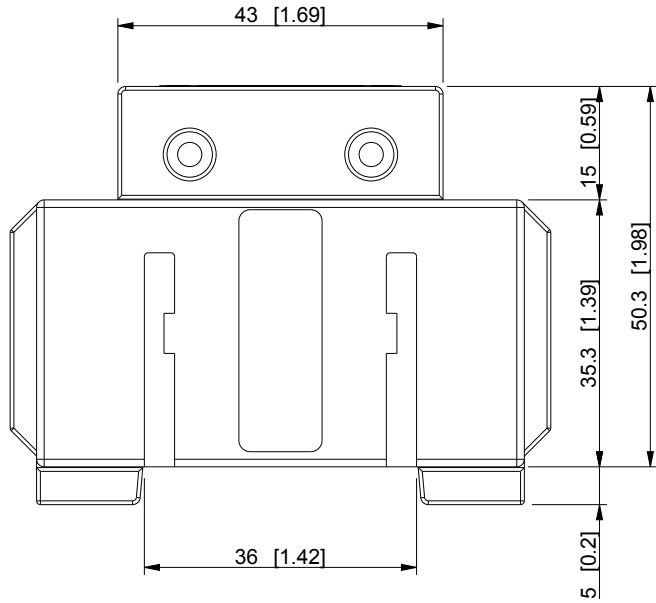

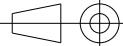


| ID | Description | Date     | By | Appr. |
|----|-------------|----------|----|-------|
| A  |             | 8.6.2015 | KA |       |



Dimensions in mm [inches]

|                        |                          |   |  |   |        |              |       |
|------------------------|--------------------------|---|--|---|--------|--------------|-------|
| model<br>PROCUS_KS1-XX | drawing<br>PROCUS_KS1-XX | Material:   |  | Color:  | -      | Weight (kg): | 0.046 |
|                        |                          | <br>Ensto Finland Oy<br>Ensto Industrial Solutions |  |  |        | 4:th pole    |       |
| Scale                  | Date                     | 8.6.2015  |  | Replaces:   |        |              |       |
| 1:1                    | By                       | KA  |  | Replaced:   |        |              |       |
| -                      | Checked                  |   |  | Drw No:   | A      |              |       |
| -                      | Ctrl                     |   |  | Ref:  |        |              |       |
|                        |                          |   |  | Code:   | KS1-xx |              |       |
|                        |                          |   |  | Sheet No:   |        |              |       |