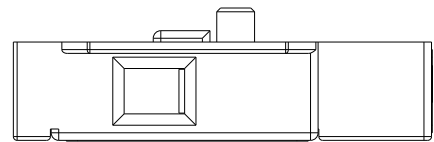
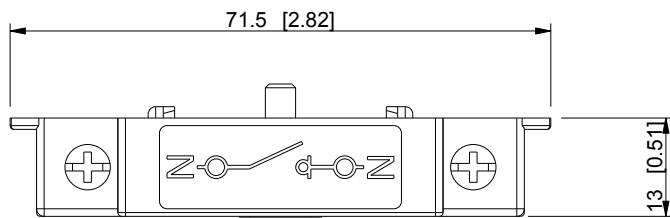
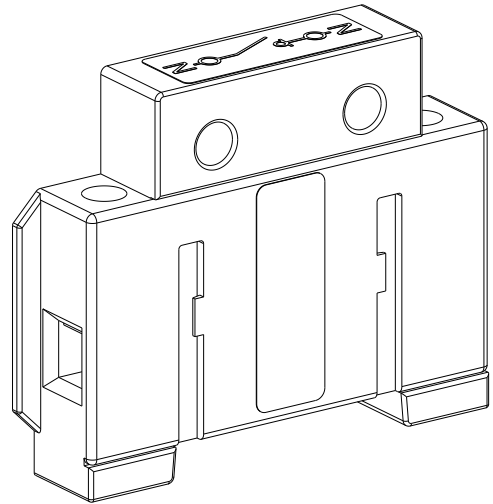
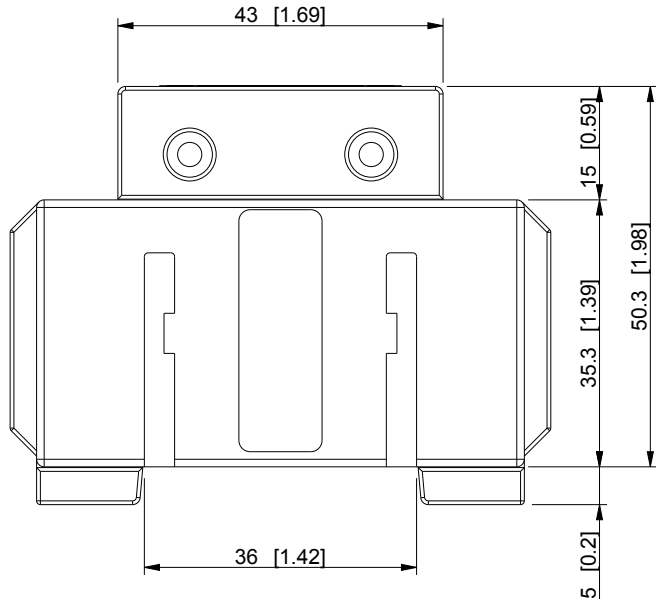

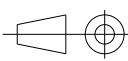


ID	Description	Date	By	Appr.
A		8.6.2015	KA	



Dimensions in mm [inches]

model PROCUS_KS1N PART drawing PROCUS_KS1-XX DRAWING	Material:		Color: -	Weight (kg): 0.046	
	 Ensto Finland Oy Ensto Industrial Solutions			Replaces:	
				Replaced:	
	Scale	Date	8.6.2015		Drw No: A
	1:1	By	KA		Ref:
	-	Checked			Code: KS1N
-	Ctrl			Sheet No:	

Switched neutral pole