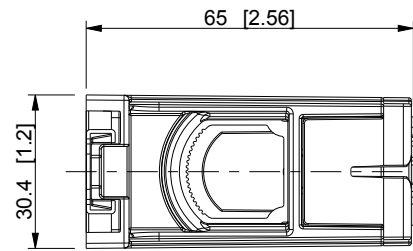
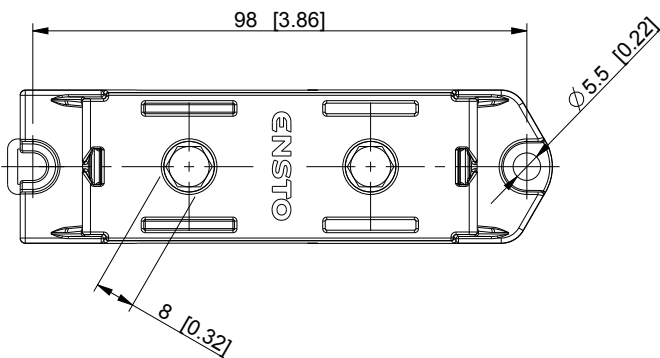
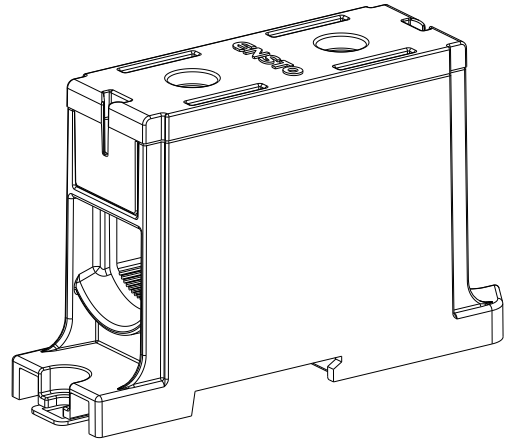
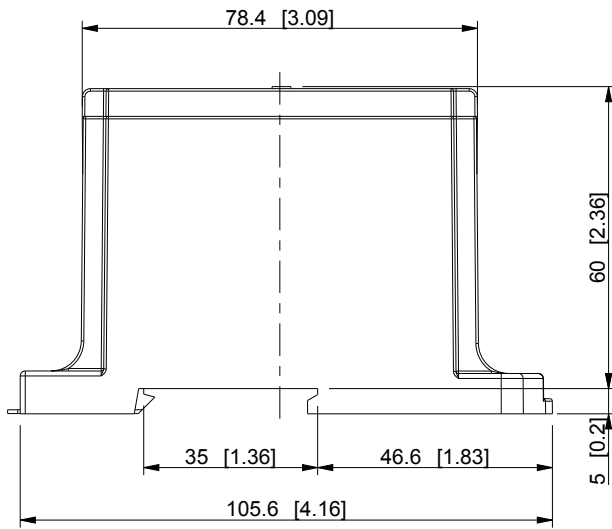

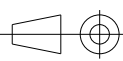


ID	Description	Date	By	Appr.
A		4.6.2015	KA	



Dimensions in mm [inches]

model PROCUS_KE163 drawing PROCUS_KE163	Material:		Color:	Weight (kg): 0.143	
	 Ensto Finland Oy Ensto Industrial Solutions			Replaces:	
				Replaced:	
	Scale	Date	<h2>Universal terminal block</h2>		Drw No: A
	1:1.5	By			Ref: -
-	Checked	Code: KE163			
-	Ctrl			Sheet No:	