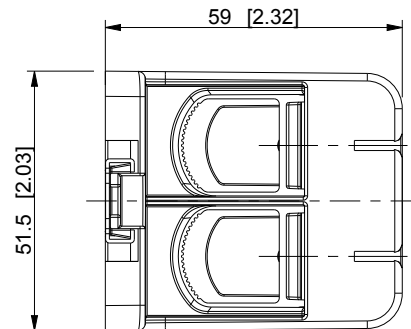
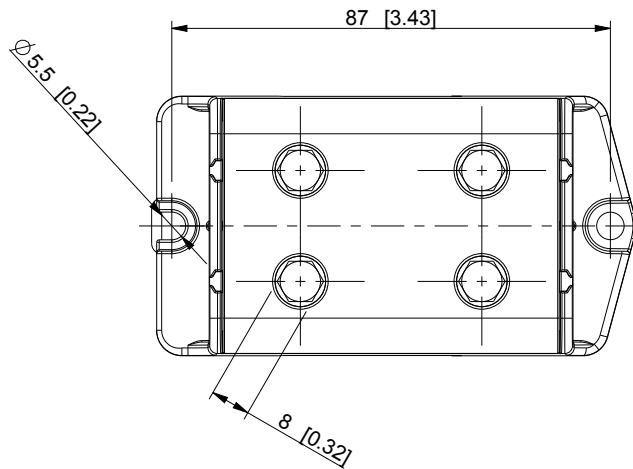
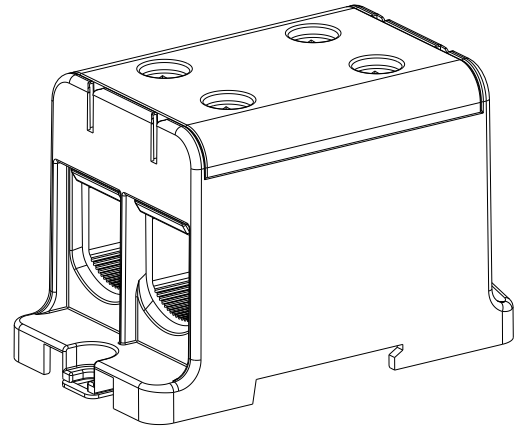
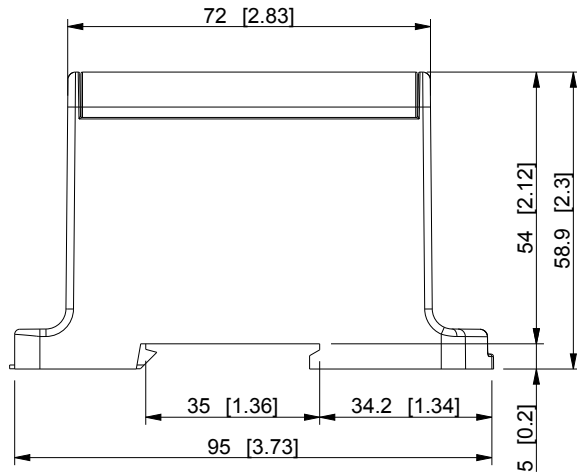

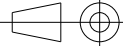


ID	Description	Date	By	Appr.
A		19.5.2015	KA	



Dimensions in mm [inches]

model PROCUS_KE68 PART drawing PROCUS_KE68 DRAWING	Material:		Color:		Weight (kg): 0.210	
	 Ensto Finland Oy Ensto Industrial Solutions				Replaces:	
					Replaced:	
	Scale	Date	<h2>Tapping block</h2>			Drw No: A
	1:1.5	19.5.2015				Ref: -
-	By KA	Code: KE68				
-	Checked	Sheet No:				
-	Ctrl					