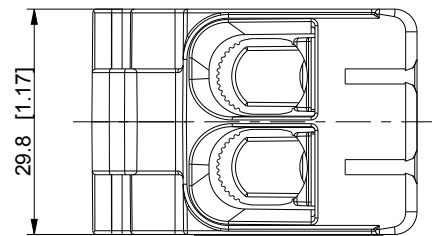
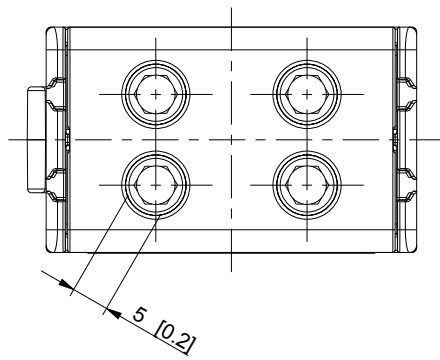
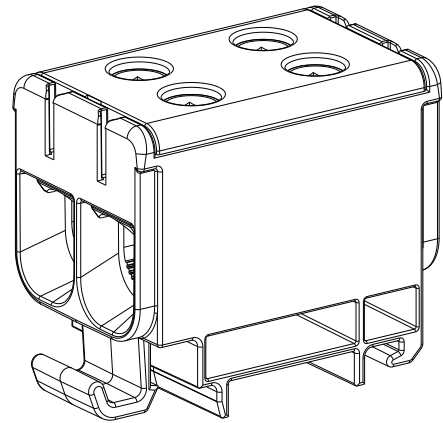
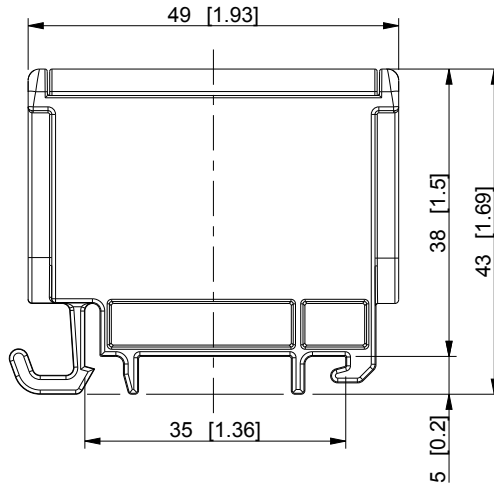

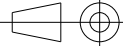


ID	Description	Date	By	Appr.
A		19.5.2015	KA	



Dimensions in mm [inches]

model PROCUS_KE66 ^{PART} drawing PROCUS_KE66 ^{DRAWING}	Material:		Color:	Weight (kg): 0.049	
	 Ensto Finland Oy Ensto Industrial Solutions			Replaces:	
				Replaced:	
	Scale	Date	<h2>Tapping block</h2>		Drw No: A
	1:1	By			Ref: -
	-	Checked			Code: KE66
-	Ctrl	Sheet No:			