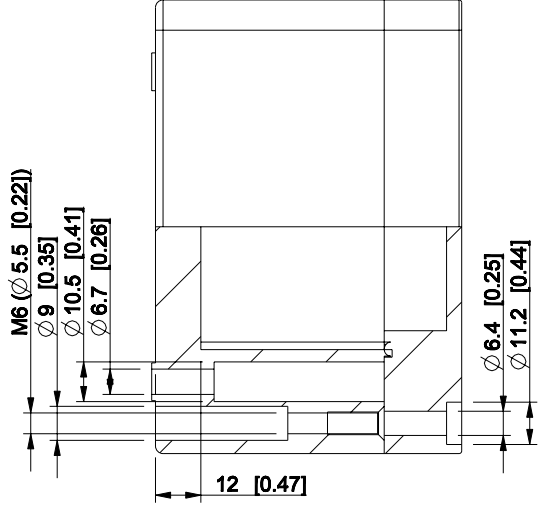
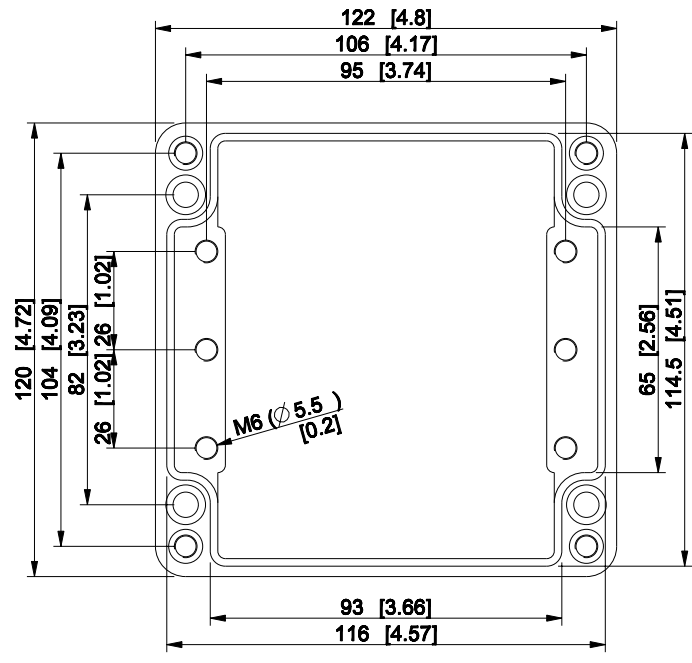
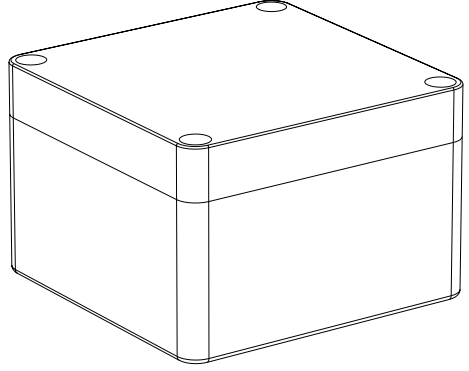
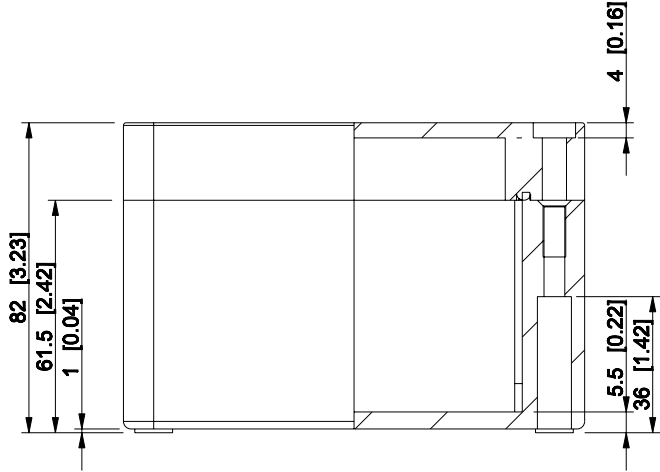


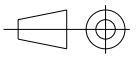
ID	Description	Date	By	Appr.
A				



Dimensions in mm [inches]

Material: Aluminium	Color: RAL 7001
---------------------	-----------------

Supplier:	Tool No:	Weight [kg]: 0.85	Volume:
-----------	----------	-------------------	---------



HALP121208

Scale	Date	24.04.09
1:2	By	TJMa
-	Checked	
-	Ctrl	

Replaces:	
Replaced:	
Drw No:	A
Ref:	Cubo H
Code:	HALP121208
Sheet No:	

model HALP121208 PART
drawing CUBO_H DRAWING