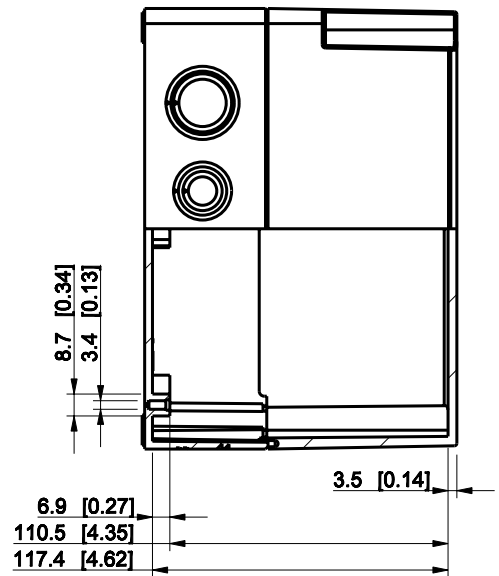
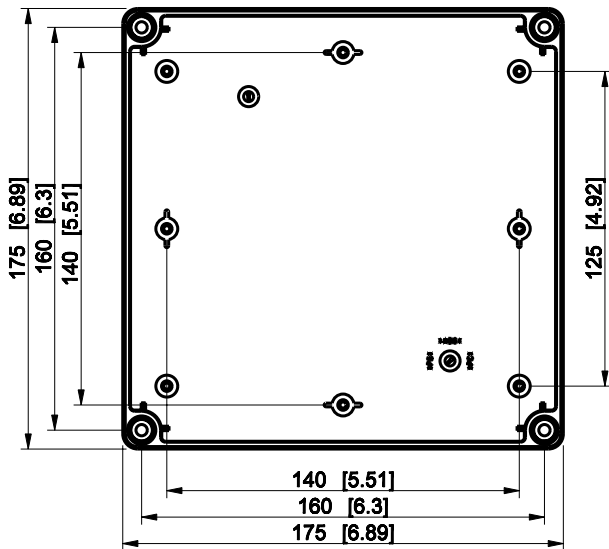
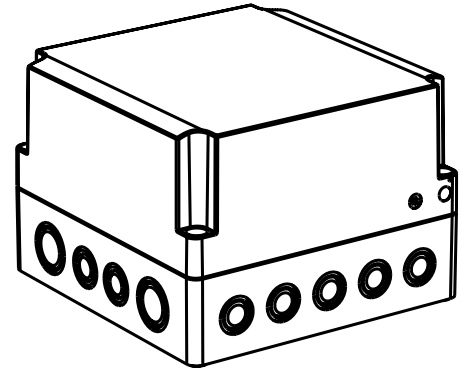
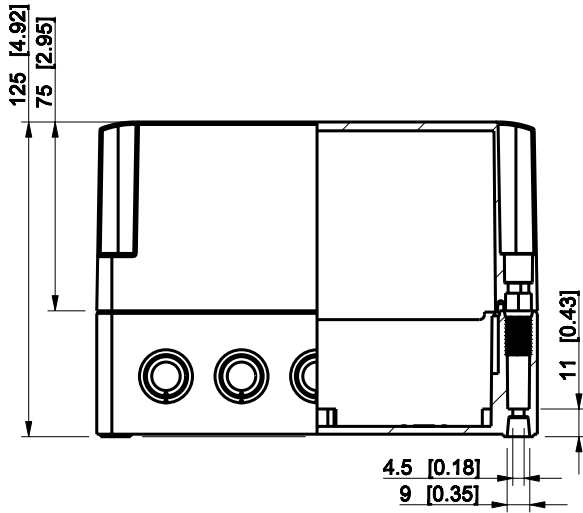



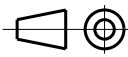
ID	Description	Date	By	Appr.
A				



Dimensions in mm [inches]

Material: Polycarbonate, fiberglass-reinforced	Color: RAL 7035
--	-----------------

Supplier:	Tool No:	Weight [kg]: 0.58	Volume:
-----------	----------	-------------------	---------

model SPCK181813G PART drawing CUBOS DRAWING	 ENSTO CONTROL OY			<h1>SPCK181813G</h1>	Replaces:												
	<table border="1"> <tr> <td>Scale</td> <td>Date</td> <td>08.12.08</td> </tr> <tr> <td>1:3</td> <td>By</td> <td>PKos</td> </tr> <tr> <td>-</td> <td>Checked</td> <td></td> </tr> <tr> <td>-</td> <td>Ctrl</td> <td></td> </tr> </table>		Scale	Date	08.12.08	1:3	By	PKos	-	Checked		-	Ctrl				Replaced:
	Scale	Date	08.12.08														
	1:3	By	PKos														
	-	Checked															
-	Ctrl																
				Drw No: - A													
				Ref: Cubo S													
				Code: SPCK181813G													
				Sheet No:													