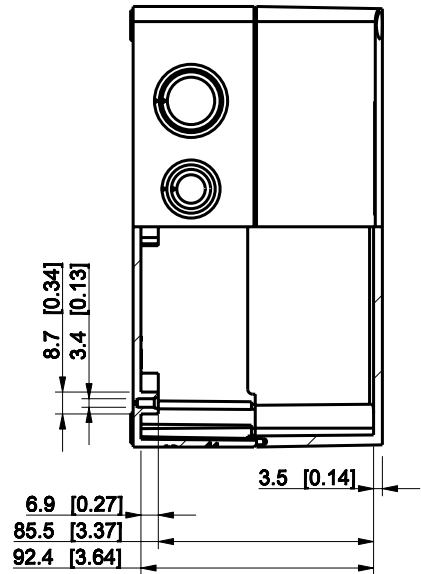
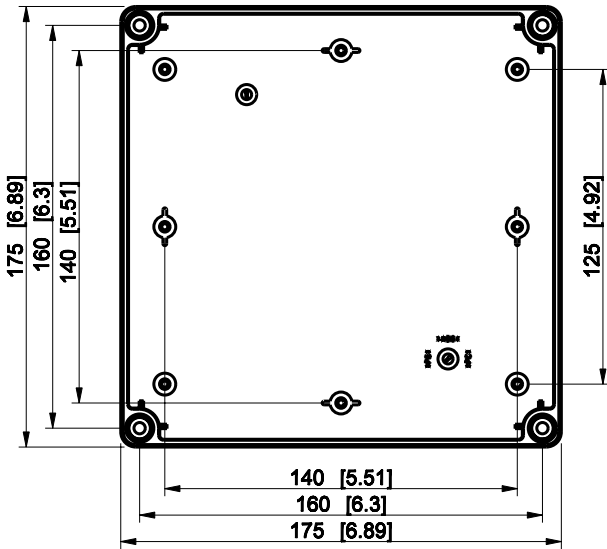
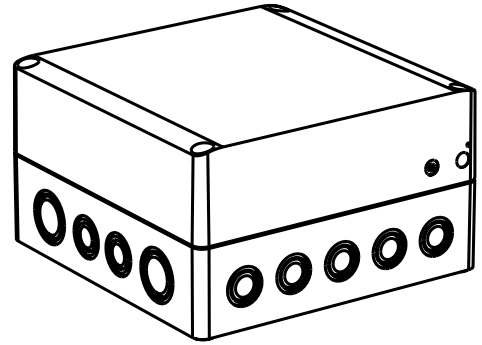
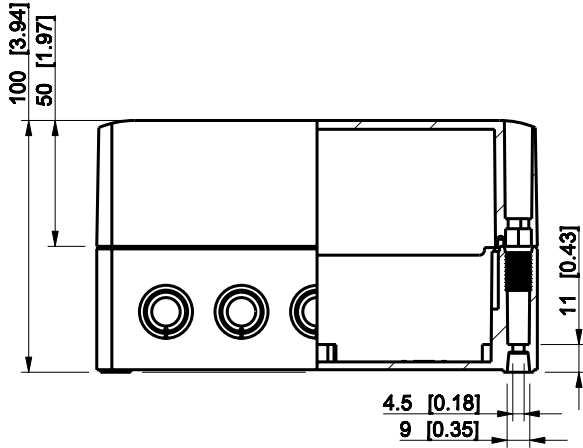


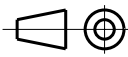
ID	Description	Date	By	Appr.
A				



Dimensions in mm [inches]

Material: Polycarbonate, fiberglass-reinforced	Color: RAL 7035
------------------------------------------------	-----------------

Supplier:	Tool No:	Weight [kg]: 0.52	Volume:
-----------	----------	-------------------	---------

model SPCK181810G PART drawing CUBOS DRAWING	 		<h1>SPCK181810G</h1>	Replaces:
	ENSTO CONTROL OY			Replaced:
	Scale	Date		Drw No: - A
	1:3	08.12.08		Ref: Cubo S
	-	By PKOs		Code: SPCK181810G
-	Checked	Sheet No:		
-	Ctrl			