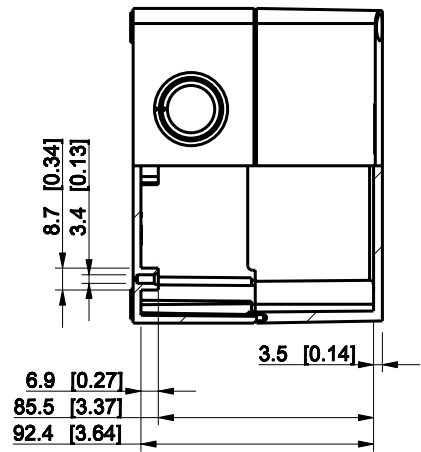
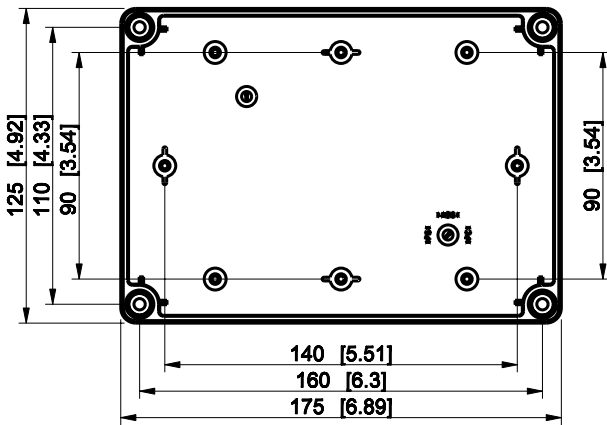
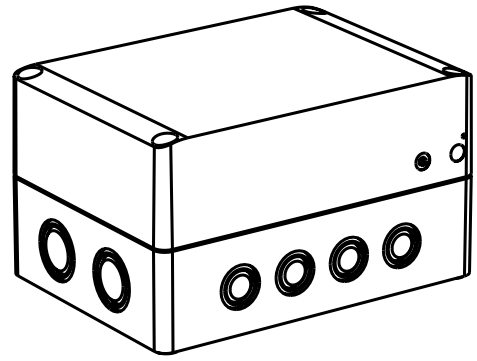
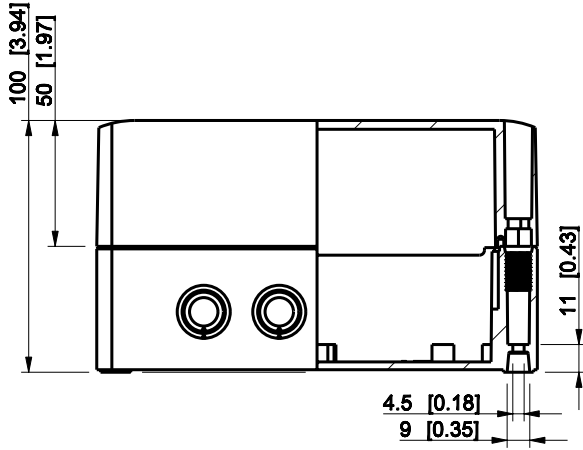


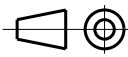
ID	Description	Date	By	Appr.
A				



Dimensions in mm [inches]

Material: Polycarbonate, fiberglass-reinforced	Color: RAL 7035
--	-----------------

Supplier:	Tool No:	Weight [kg]: 0.41	Volume:
-----------	----------	-------------------	---------

model SPCK131810G PART drawing CUBOS DRAWING	 		<h1>SPCK131810G</h1>	Replaces:	
	ENSTO CONTROL OY			Replaced:	
	Scale	Date		08.12.08	Drw No: - A
	1:3	By		PKos	Ref: Cubo S
	-	Checked			Code: SPCK131810G
-	Ctrl		Sheet No:		