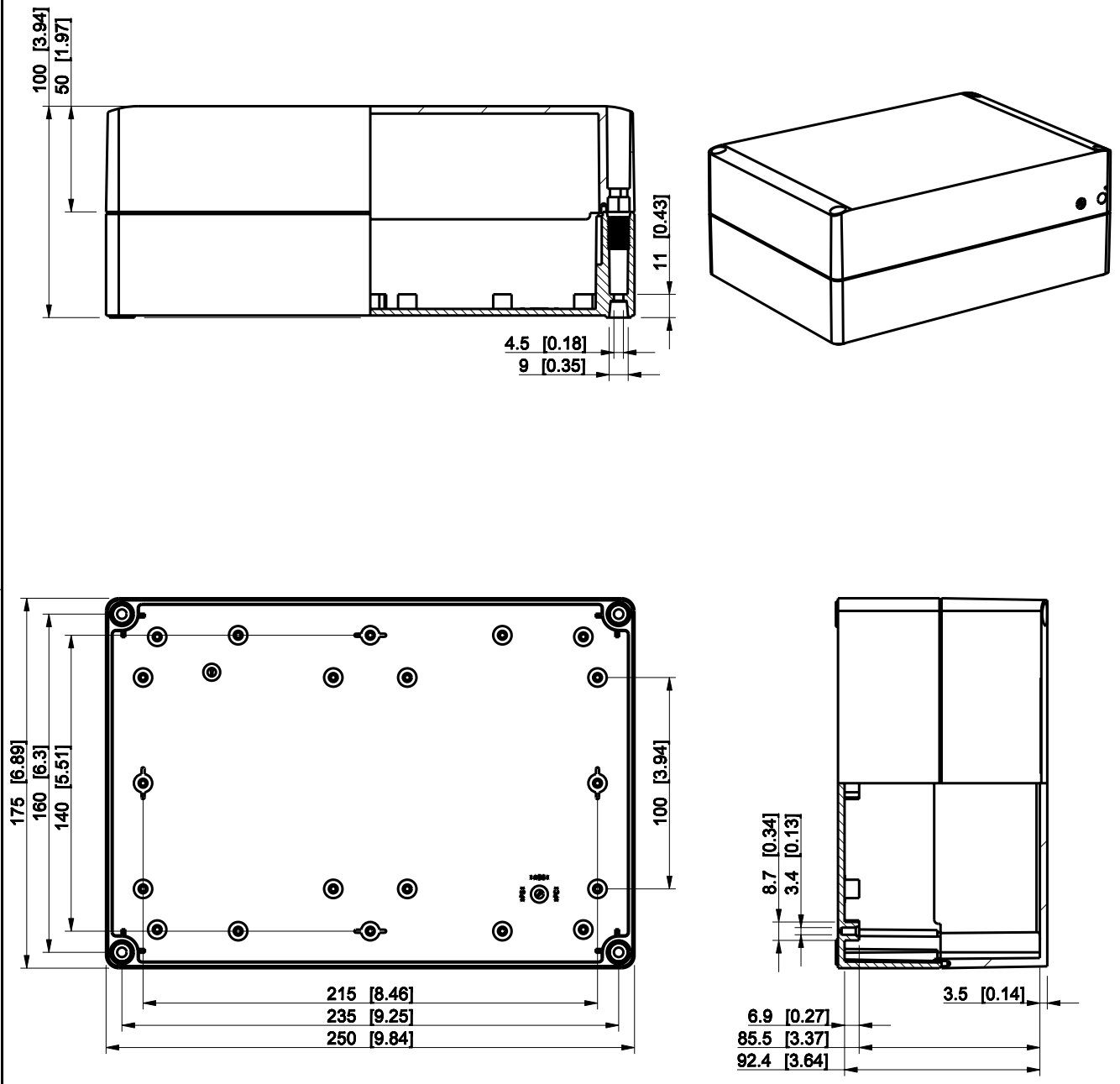

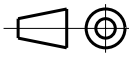


ID	Description	Date	By	Appr.
A				



Dimensions in mm [inches]

Material: ABS		Color: RAL 7035	
Supplier:		Tool No:	
 ENSTO CONTROL OY			
Scale: 1:3		Date: 08.12.08	
-		By: PKos	
-		Checked:	
-		Ctrl:	
model: SABP182510G PART		Weight [kg]: 0.69	
drawing: CUBOS DRAWING		Volume:	
SABP182510G		Replaces:	
		Replaced:	
		Drw No: - A	
		Ref: Cubo S	
		Code: SABP182510G	
		Sheet No:	