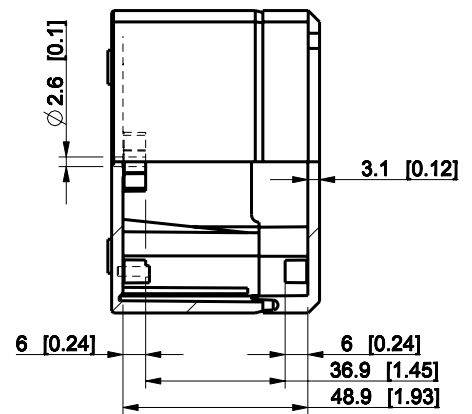
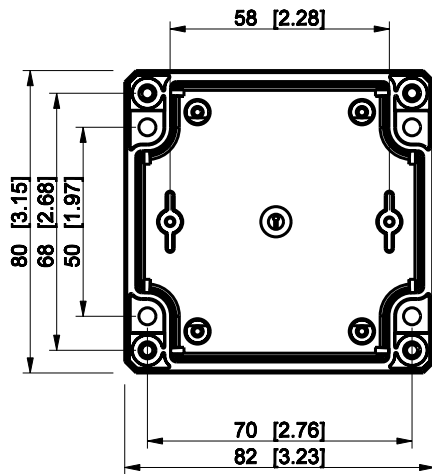
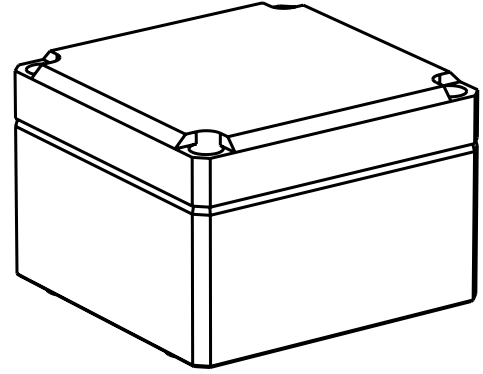
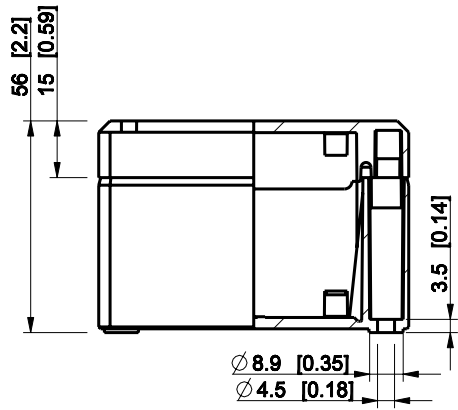


ID	Description	Date	By	Appr.
A				



Dimensions in mm [inches]

Material: ABS	Color: RAL 7035
---------------	-----------------

Supplier:	Tool No:	Weight [kg]: 0.11	Volume:
-----------	----------	-------------------	---------

model DABP080806T_PART drawing CUBO_D_2_DRAWING			<h1>DABP080806T</h1>	Replaces:	
				Replaced:	
	Scale	Date		Drw No:	A
	1:2	18.12.08		Ref:	-
	-	By		Code:	DABP080806T
-	Checked	Sheet No:			
-	Ctrl				