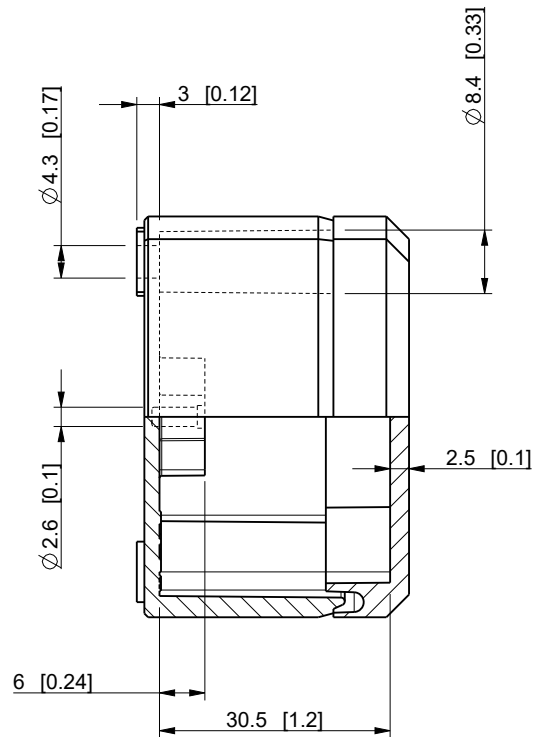
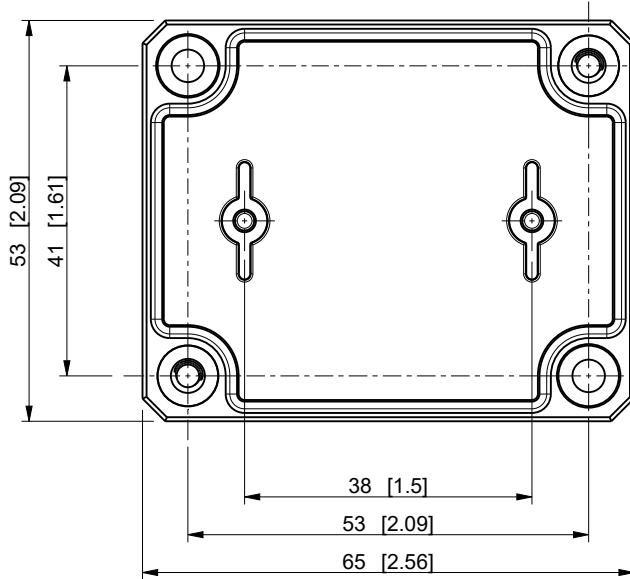
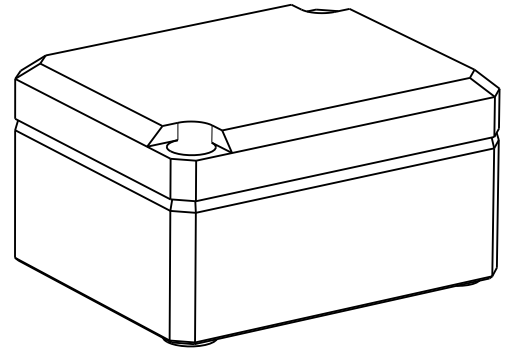
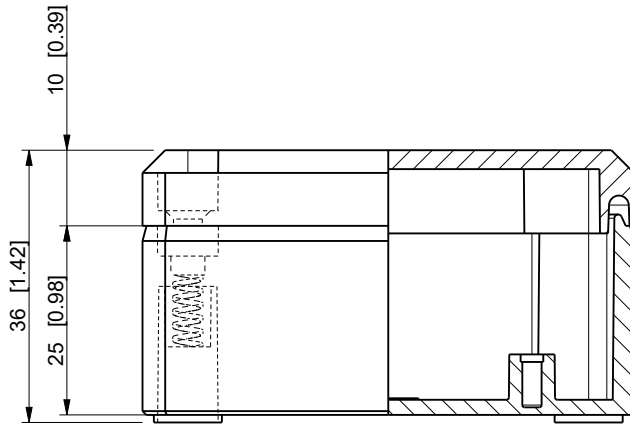

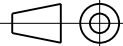


ID	Description	Date	By	Appr.
C	Drawing mirroring corrected.	8.3.2023	KA	



Dimensions in mm [inches]

model DABP050704G PART drawing DABP050704G PK1 DRAWING	Material: ABS		Color: RAL 7035	Weight (kg): 0.05	
				<h2>DABP050704G</h2>	
	Ensto Building Systems Finland				
	Scale	Date	02.09.11		
	1:1	By	PKos		
	-	Checked			
-	Ctrl				
				Replaces:	
				Replaced:	
				Drw No: C	
				Ref:	
				Code: DABP050704G	
				Sheet No:	