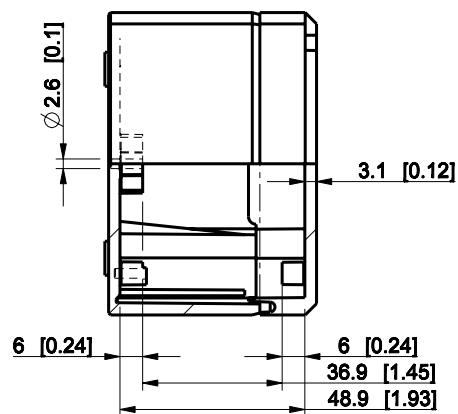
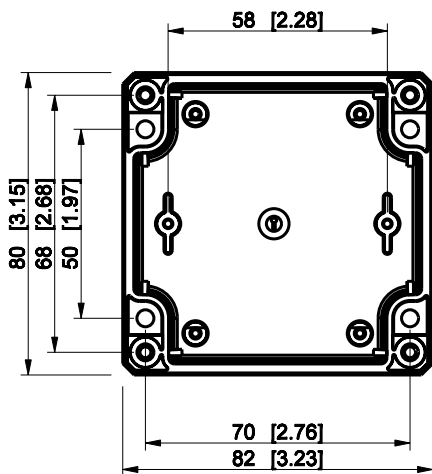
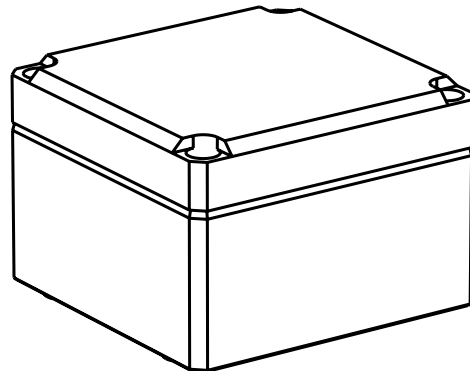
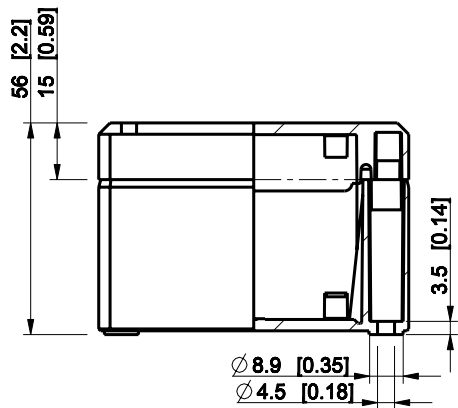


ID	Description	Date	By	Appr.
A				

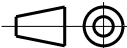


Dimensions in mm [inches]

Material: Polycarbonate, fiberglass-reinforced	Color: RAL 7035
--	-----------------

Supplier:	Tool No:	Weight [kg]: 0.11	Volume:
-----------	----------	-------------------	---------

ENSTO
ENSTO CONTROL



DPCP080806G

Scale	Date	18.12.08
1:2	By	PKos
-	Checked	
-	Ctrl	

Replaces:	
Replaced:	
Drw No:	A
Ref:	-
Code:	DPCP080806G
Sheet No:	

model DPCP080806G PART
drawing CUBO_D_2_DRAWING