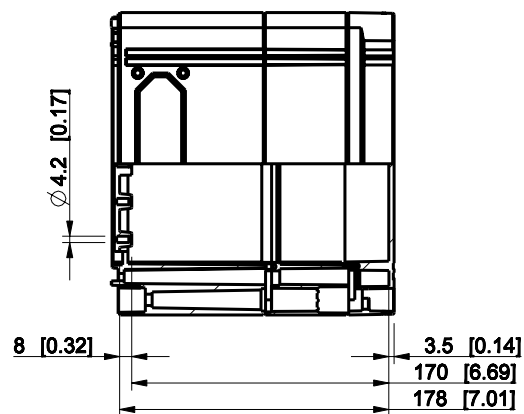
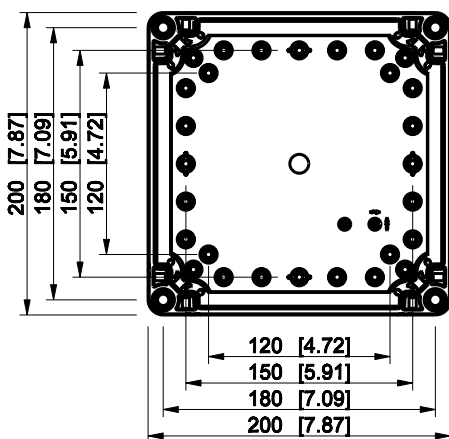
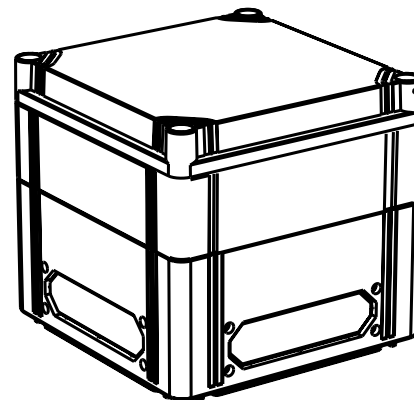
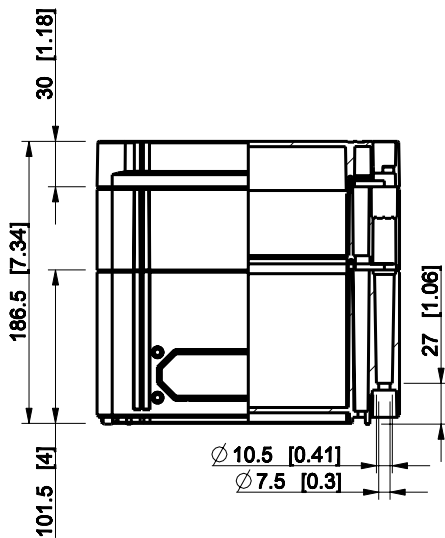


ID	Description	Date	By	Appr.
A				

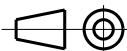


Dimensions in mm [inches]

Material: Polycarbonate, fiberglass-reinforced	Color: RAL 7035
--	-----------------

Supplier:	Tool No:	Weight [kg]: 1.28	Volume:
-----------	----------	-------------------	---------

**ENSTO**  
ENSTO CONTROL OY



**CPCF202018T**

Scale	Date	29.12.08
1:5	By	PKos
-	Checked	
-	Ctrl	

Replaces:
Replaced:
Drw No: - A
Ref: Cubo C
Code: CPCF202018T
Sheet No:

model CPCF202018T PART

drawing CUBO\_C DRAWING