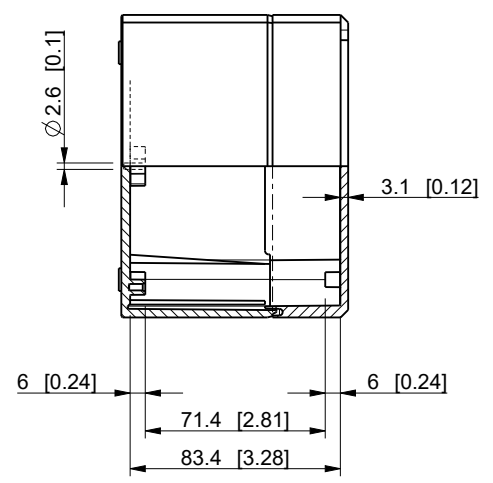
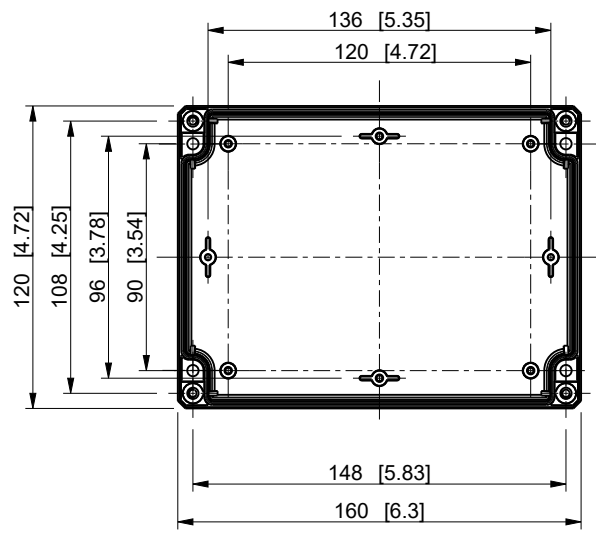
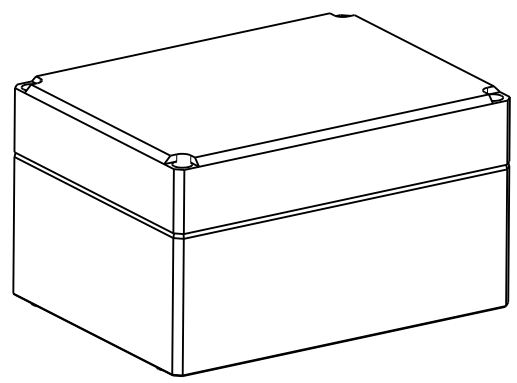
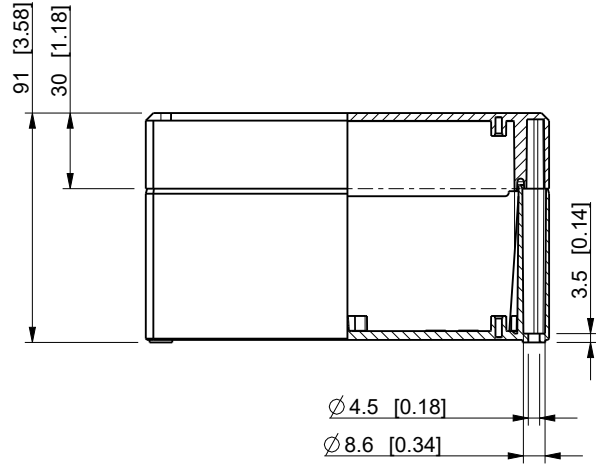


ID	Description	Date	By	Appr.
B	Measure 96 and 120 added.	11.3.2021	KA	



Dimensions in mm [inches]

model DPCP121609G PART drawing DPCP121609G PK1 DRAWING	Material: Polycarbonate		Color: RAL 7035	Weight (kg): 0.36	
			<h1>DPCP121609G</h1>		Replaces:
					Replaced:
	Ensto Building Systems Finland				Drw No: B
	Scale	Date	18.12.08		Ref: -
	1:3	By	PKos		Code: DPCP121609G
-	Checked			Sheet No:	
-	Ctrl				