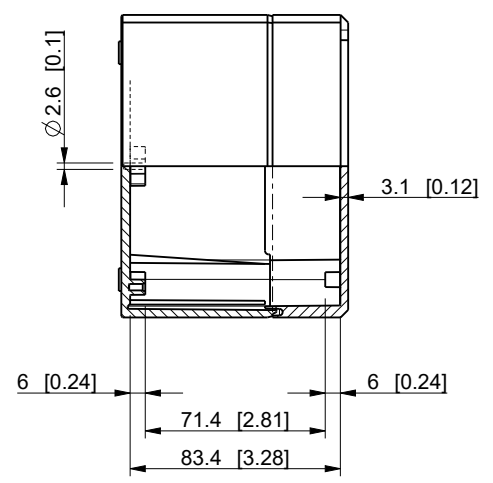
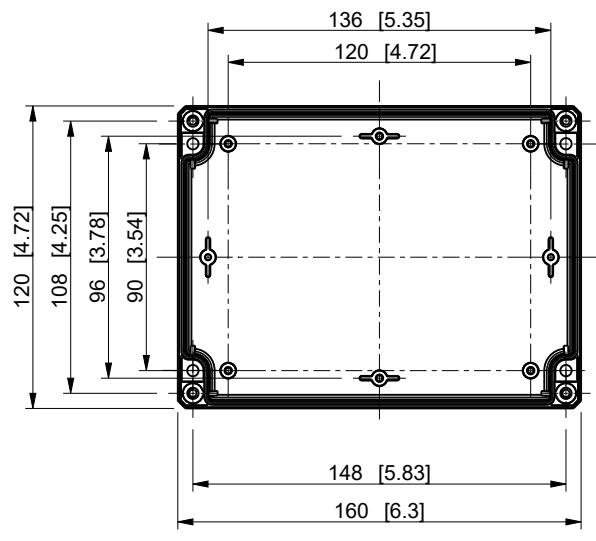
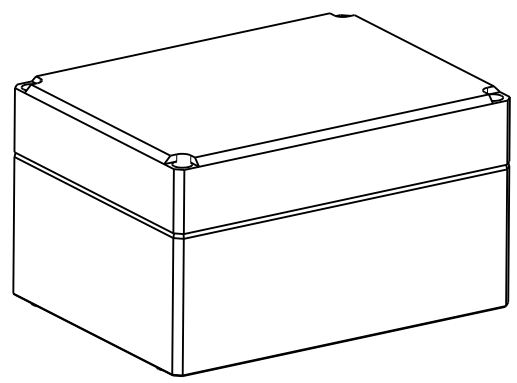
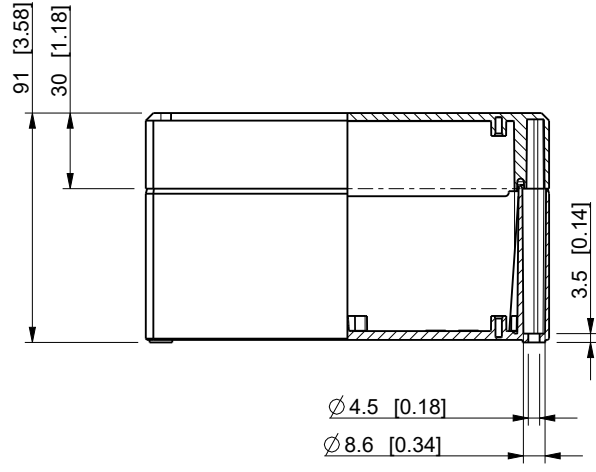

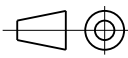


ID	Description	Date	By	Appr.
B	Measure 96 and 120 added.	11.3.2021	KA	



Dimensions in mm [inches]

model DABP121609T PART drawing DABP121609T_PK1 DRAWING	Material: ABS		Color: RAL 7035	Weight (kg): 0.36	
	 		<h1>DABP121609T</h1>		
	Ensto Building Systems Finland		Drw No: B		
	Scale	Date	18.12.08		
1:3	By	PKos			
-	Checked				
-	Ctrl				
		Code: DABP121609T Sheet No:			