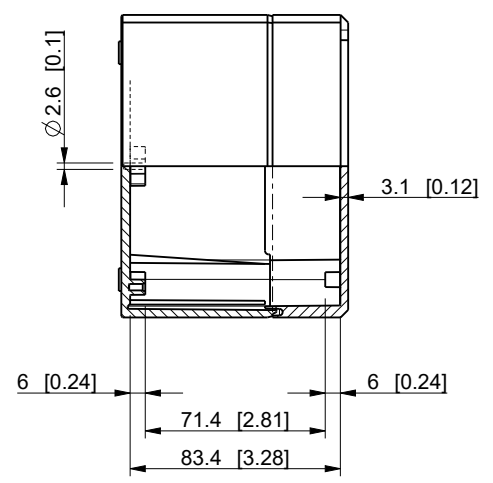
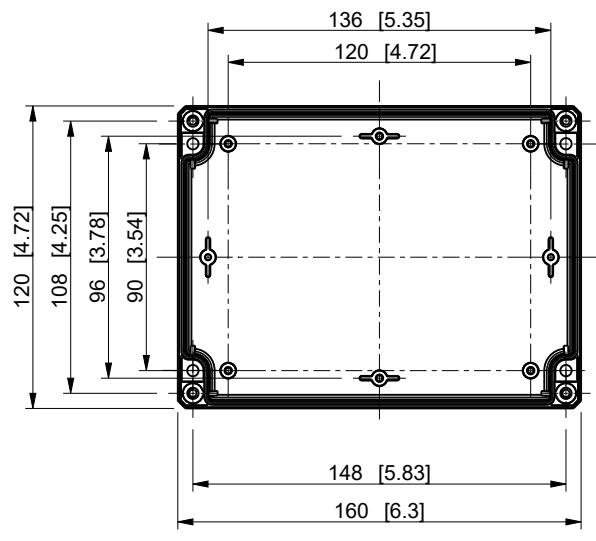
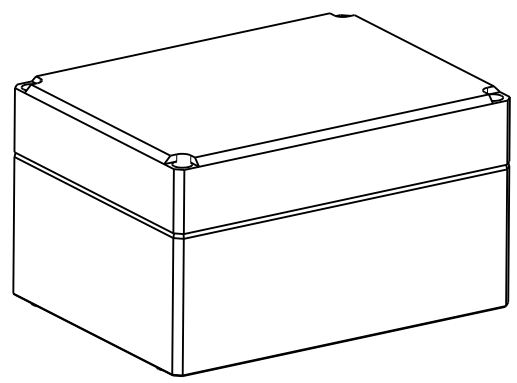
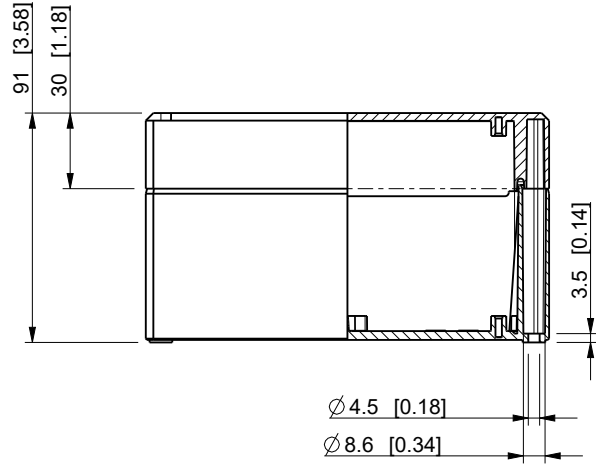


ID	Description	Date	By	Appr.
B	Measure 96 and 120 added.	11.3.2021	KA	



Dimensions in mm [inches]

model DABP121609G PART drawing DABP121609G_PK1 DRAWING	Material: ABS		Color: RAL 7035	Weight (kg): 0.36	
			<h1>DABP121609G</h1>		Replaces:
					Replaced:
	Scale	Date	18.12.08		
	1:3	By	PKos		
	-	Checked			
-	Ctrl				
				Drw No: B	
				Ref: -	
				Code: DABP121609G	
				Sheet No:	