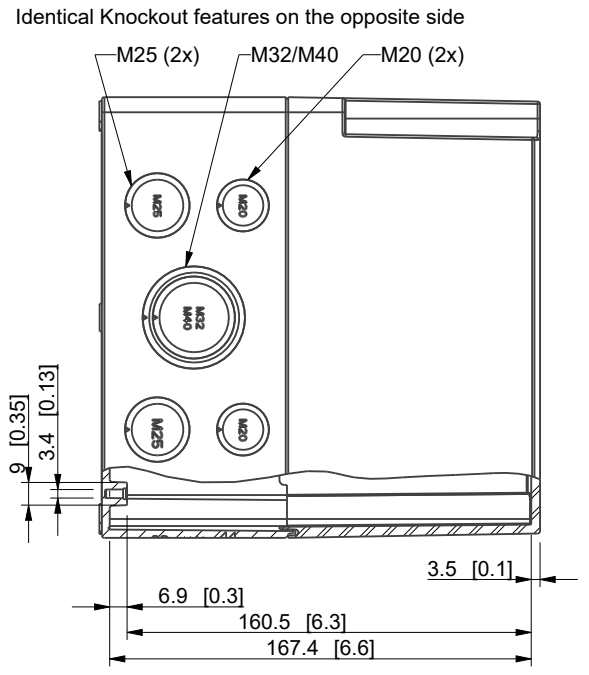
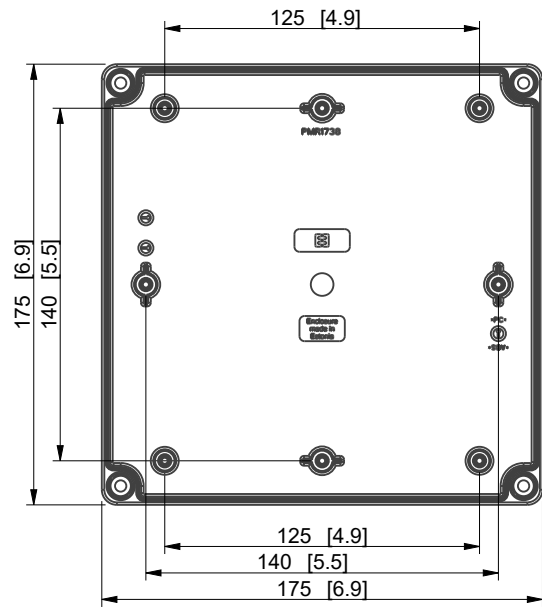
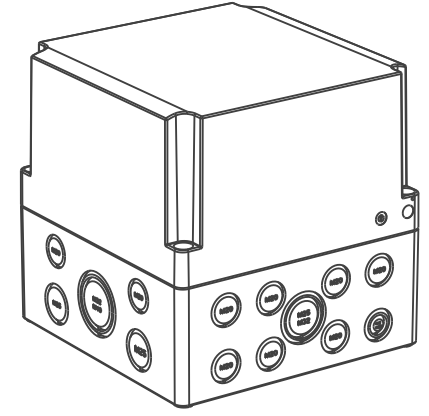
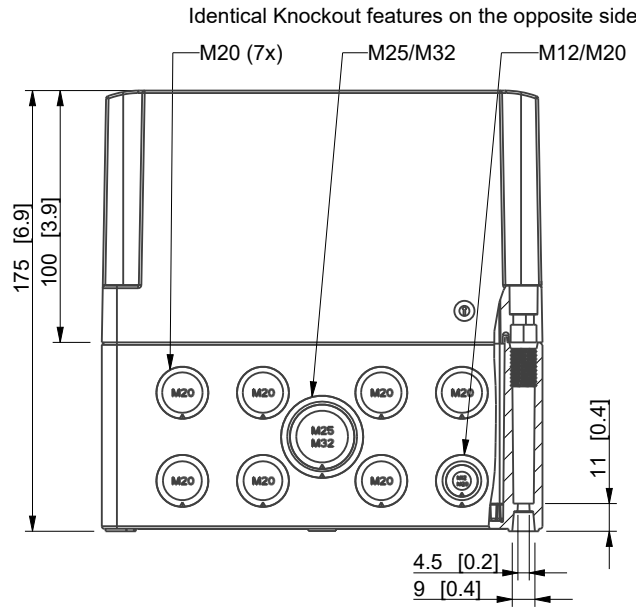


ID	Description	Date	By	Appr.
A				



Dimensions in mm [inches]

Material: Polycarbonate, fiberglass-reinforced Color: RAL 7035

Supplier: - Tool No: - Weight [kg]: 0.71 Volume: -



SPCM181818HT

Scale	Date	28.09.20
1:3	By	PKos
-	Checked	
-	Ctrl	

Replaces:	
Replaced:	
Drw No:	- A
Ref:	Cubo S
Code:	SPCM181818HT
Sheet No:	

model SPCM181818HT PART
 drawing SPCM181818HT_PK1 DRAWING