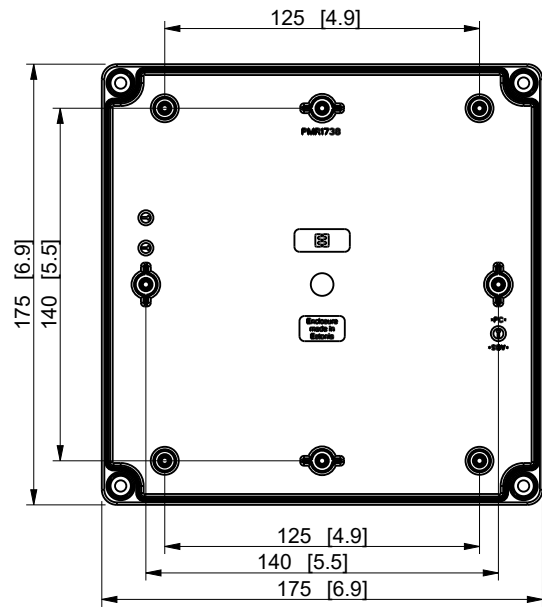
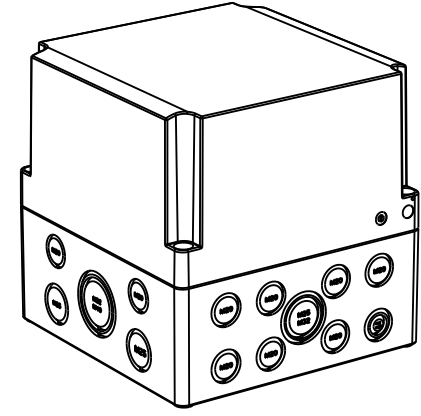
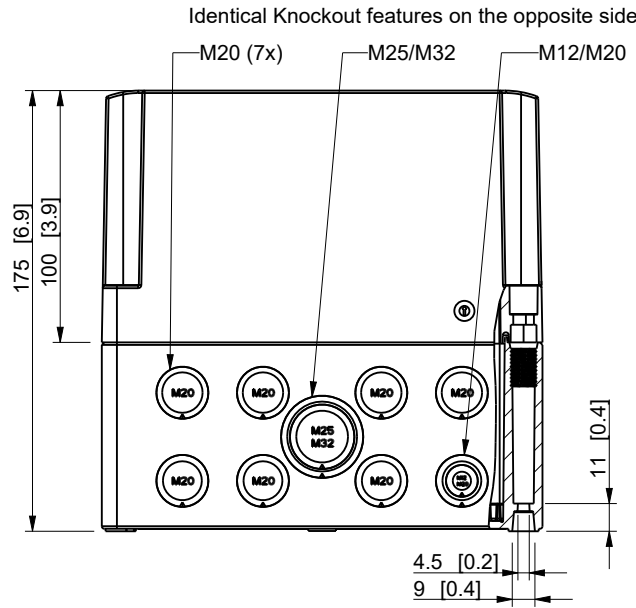
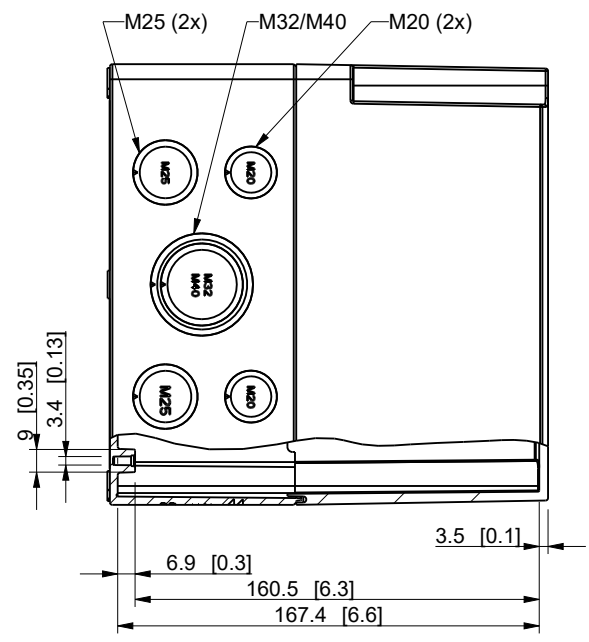


ID	Description	Date	By	Appr.
A				



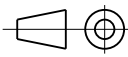
Identical Knockout features on the opposite side



Dimensions in mm [inches]

Material: Polycarbonate, fiberglass-reinforced	Color: RAL 7035
--	-----------------

Supplier: -	Tool No: -	Weight [kg]: 0.71	Volume: -
-------------	------------	-------------------	-----------



SPCM181818HG

Scale	Date	28.09.20
1:3	By	PKos
-	Checked	
-	Ctrl	

Replaces:	
Replaced:	
Drw No: -	A
Ref:	Cubo S
Code:	SPCM181818HG
Sheet No:	

model SPCM181818HG PART
 drawing SPCM181818HG PK1 DRAWING