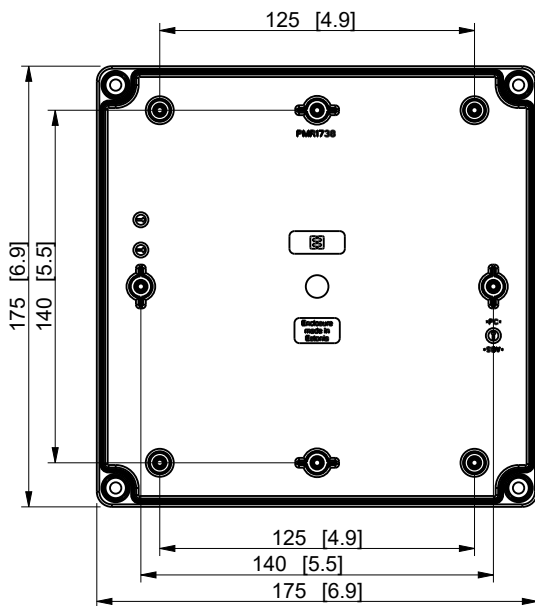
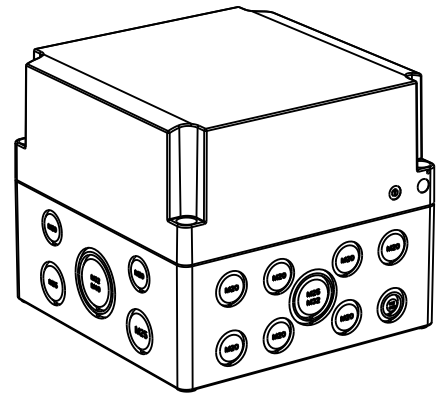
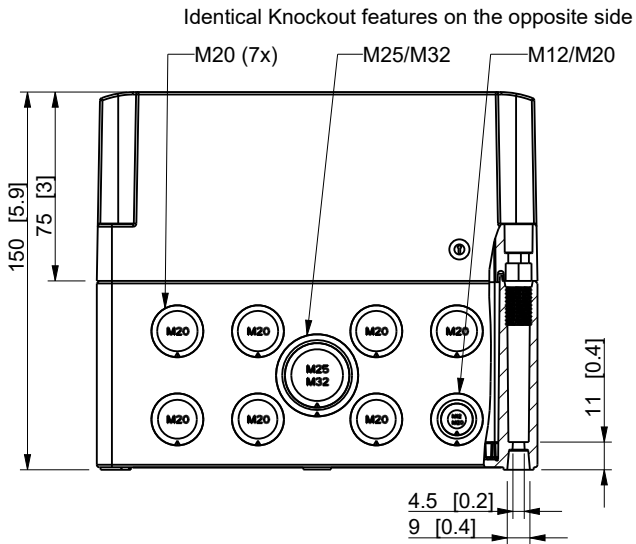
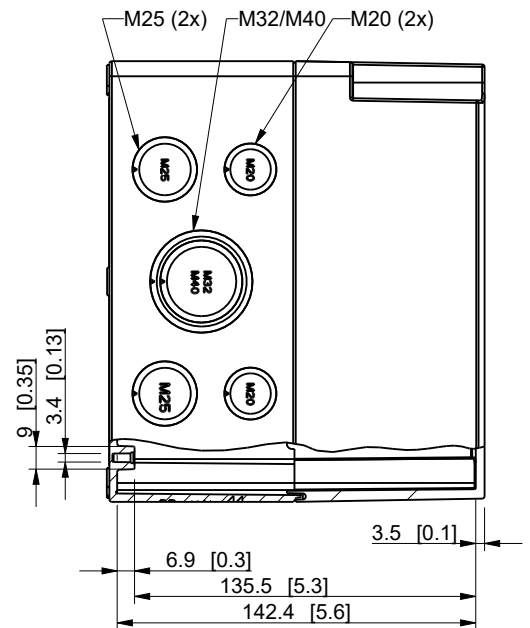


| ID | Description | Date | By | Appr. |
|----|-------------|------|----|-------|
| A | | | | |



Identical Knockout features on the opposite side



Dimensions in mm [inches]

Material: Polycarbonate, fiberglass-reinforced

Color: RAL 7035

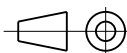
Supplier: -

Tool No: -

Weight [kg]: 0.65

Volume: -

ENSTO
Ensto Smart Buildings



SPCM181815HG

Replaces:

Replaced:

Drw No: - A

Ref: Cubo S

Code: SPCM181815HG

Sheet No:

Scale: 1:3 Date: 24.09.20

By: PKOs

Checked:

Ctrl:

model SPCM181815HG PART
 drawing SPCM181815HG PK1 DRAWING