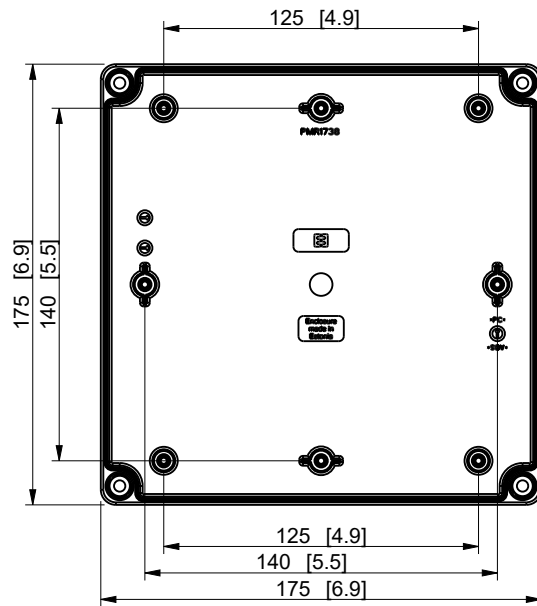
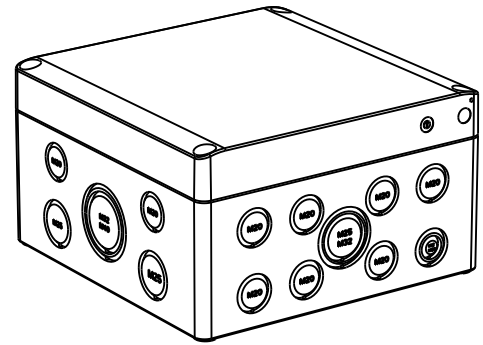
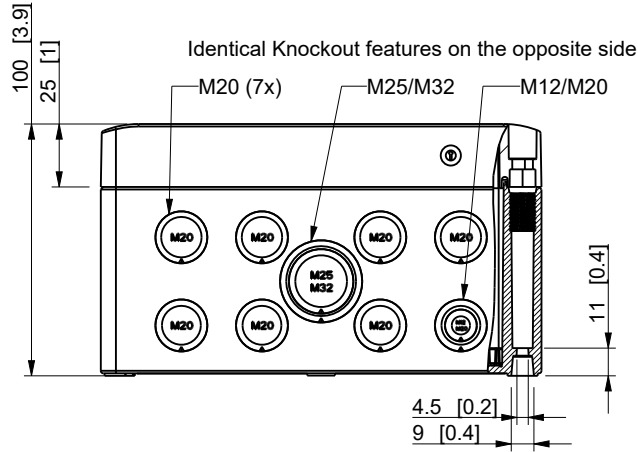
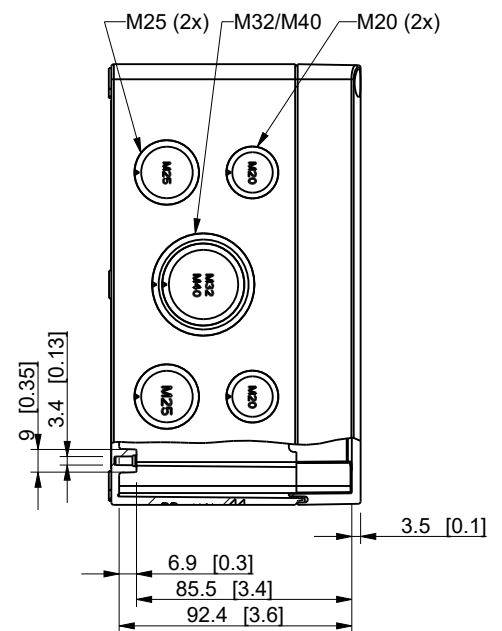



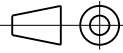
ID	Description	Date	By	Appr.
A				



Identical Knockout features on the opposite side



Dimensions in mm [inches]

model SPCM181810HG PART drawing SPCM181810HG PK1 DRAWING	Material: Polycarbonate, fiberglass-reinforced		Color: RAL 7035		
	Supplier: -		Tool No: -		
	Weight [kg]: 0.50		Volume: -		
	 Ensto Smart Buildings				Replaces:
					Replaced:
	Scale		Date		Drw No: - A
1:3		24.09.20		Ref: Cubo S	
-		By		Code: SPCM181810HG	
-		Checked		Sheet No:	
-		Ctrl			

SPCM181810HG