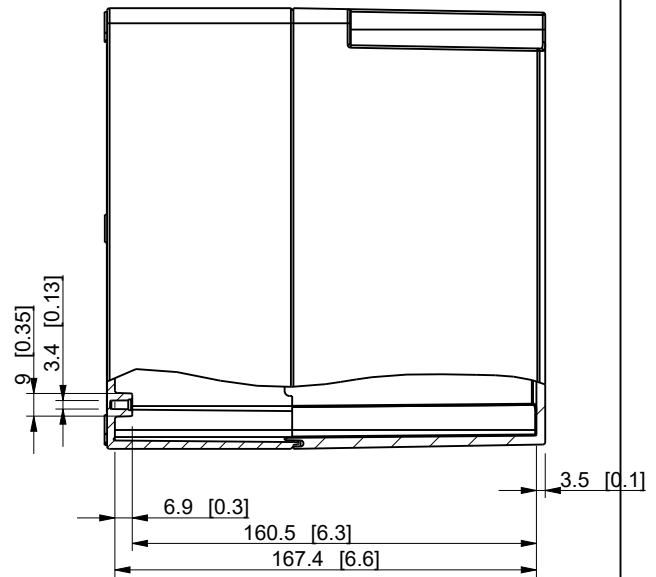
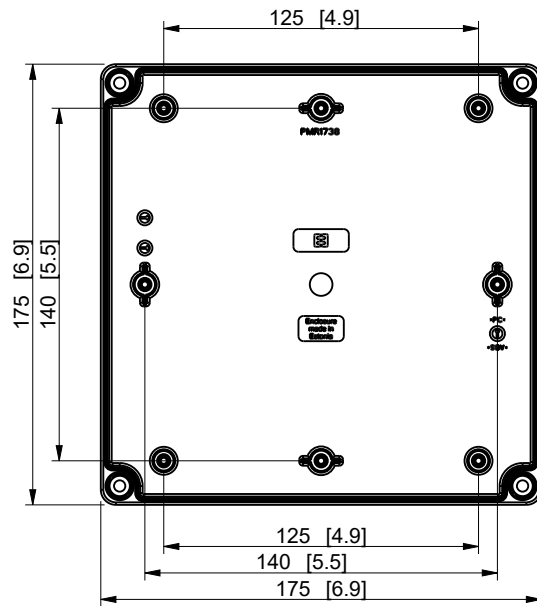
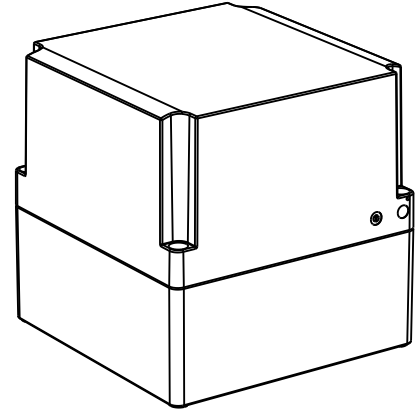
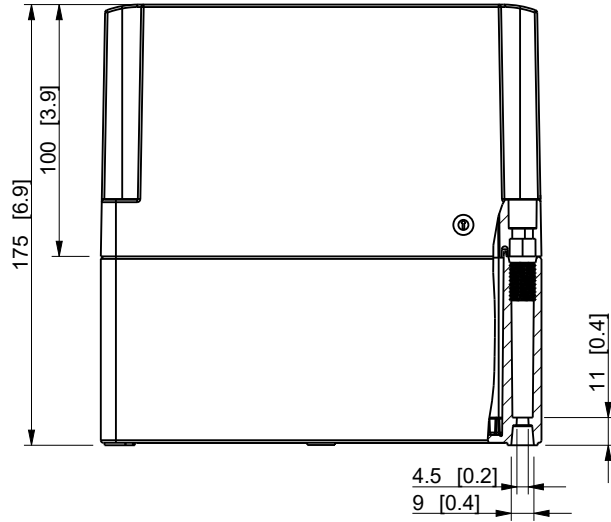

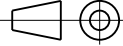


ID	Description	Date	By	Appr.
A				



Dimensions in mm [inches]

model SPCP181818HT PART drawing SPCP181818HT_PK1 DRAWING	Material: Polycarbonate, fiberglass-reinforced		Color: RAL 7035		
	Supplier: -		Tool No: -		
	Weight [kg]: 0.72		Volume: -		
	 Ensto Smart Buildings				Replaces:
					Replaced:
	Scale		Date	28.09.20	
	1:3		By	PKos	
-		Checked			
-		Ctrl			
SPCP181818HT					
Drw No: -		A			
Ref: Cubo S					
Code: SPCP181818HT					
Sheet No:					