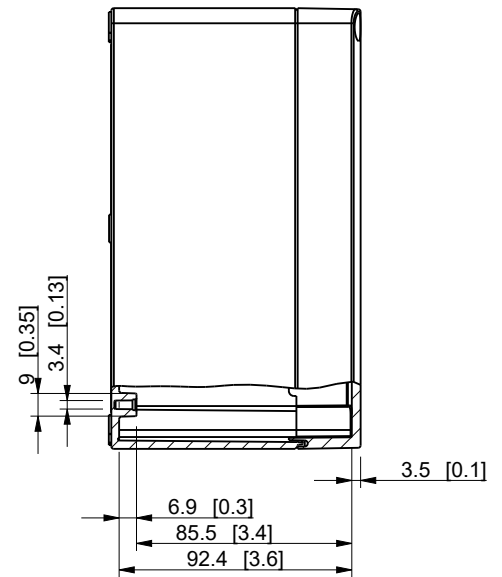
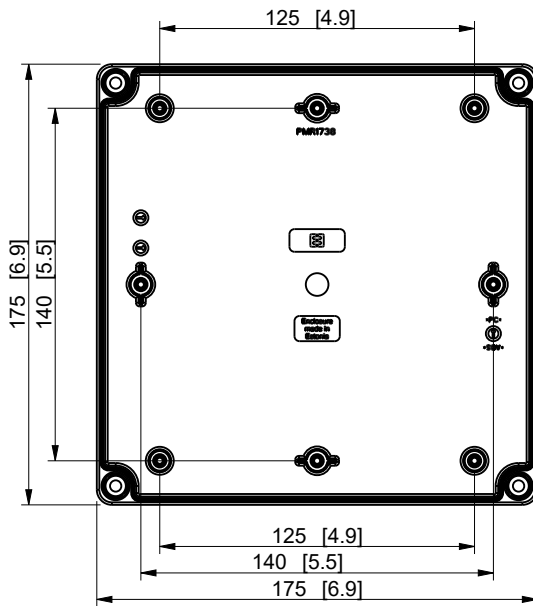
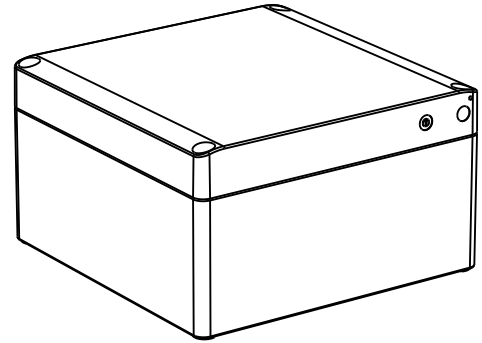
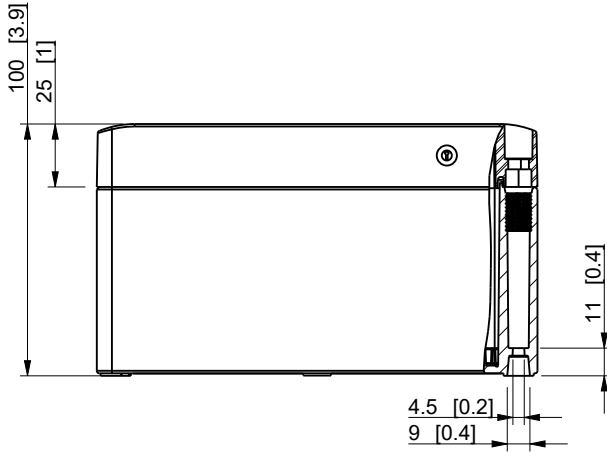

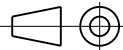


ID	Description	Date	By	Appr.
A				



Dimensions in mm [inches]

model SPCP181810HT drawing SPCP181810HT_PK1	Material: Polycarbonate, fiberglass-reinforced		Color: RAL 7035	
	Supplier: -		Tool No: -	
	Weight [kg]: 0.59		Volume: -	
	 		<h1>SPCP181810HT</h1>	
	Ensto Smart Buildings			
Scale	Date	28.09.20		
1:3	By	PKos		
-	Checked			
-	Ctrl			
Replaces:				
Replaced:				
Drw No: -		A		
Ref: Cubo S				
Code: SPCP181810HT				
Sheet No:				