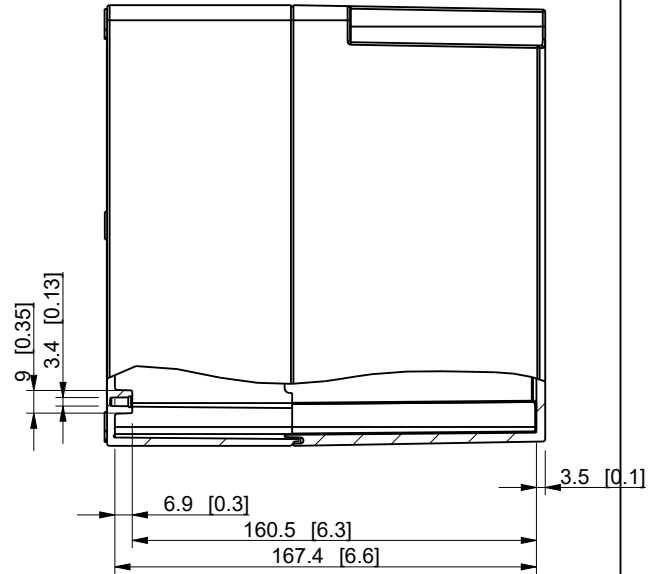
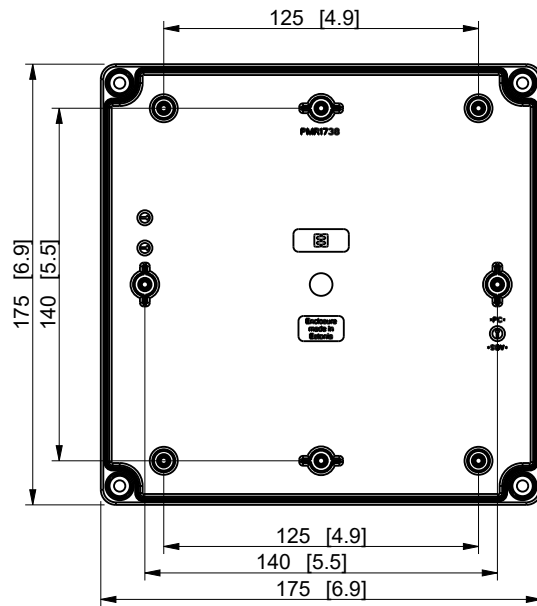
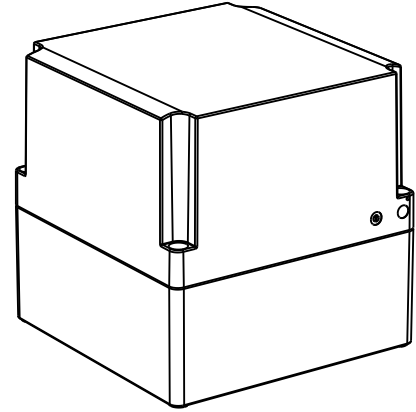
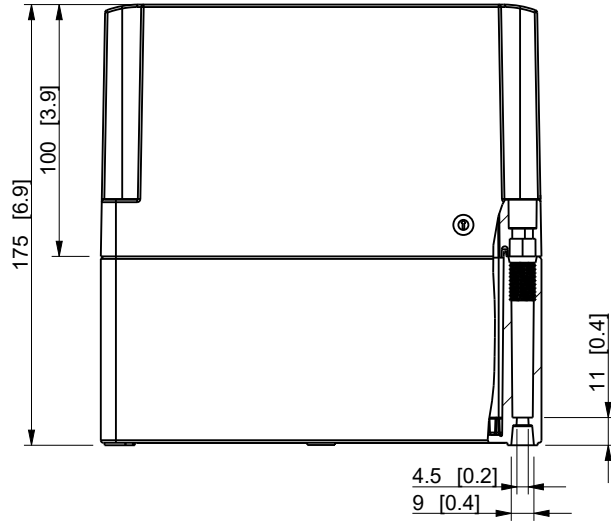


ID	Description	Date	By	Appr.
A				



Dimensions in mm [inches]

Material: ABS Color: RAL 7035

Supplier: - Tool No: - Weight [kg]: 0.72 Volume: -



SABP181818HT

Scale	Date	28.09.20
1:3	By	PKos
-	Checked	
-	Ctrl	

Replaces:	
Replaced:	
Drw No:	- A
Ref:	Cubo S
Code:	SABP181818HT
Sheet No:	

model SABP181818HT PART  
 drawing SABP181818HT\_PK1 DRAWING