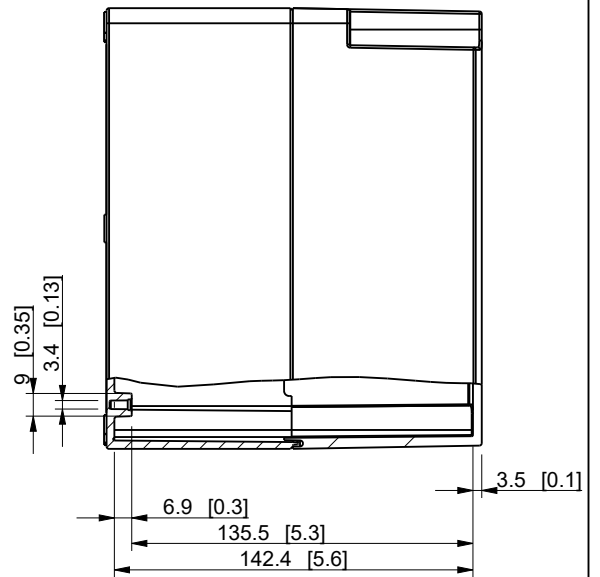
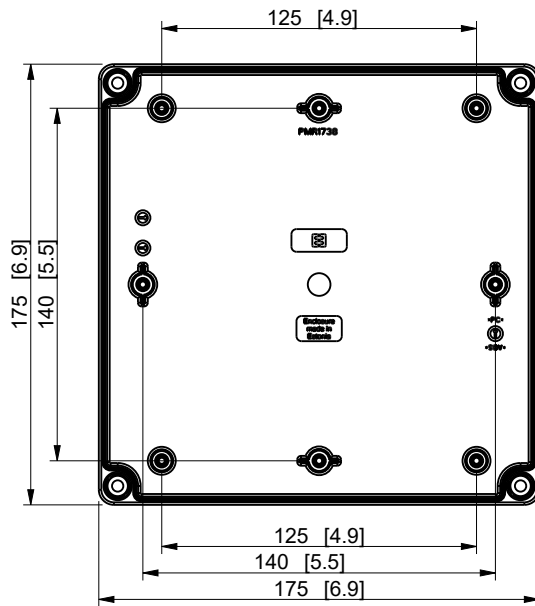
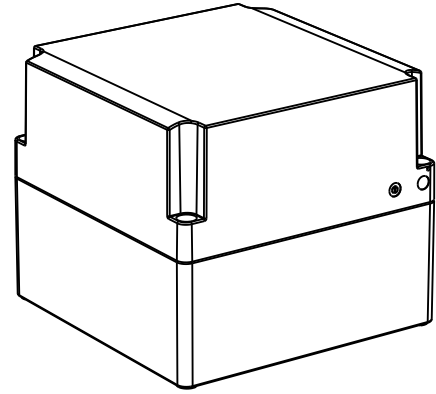
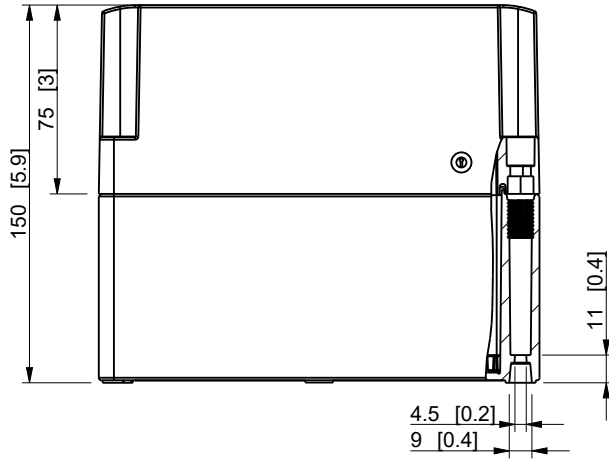


| ID | Description | Date | By | Appr. |
|----|-------------|------|----|-------|
| A  |             |      |    |       |

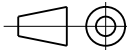


Dimensions in mm [inches]

|               |                 |
|---------------|-----------------|
| Material: ABS | Color: RAL 7035 |
|---------------|-----------------|

|             |            |                   |           |
|-------------|------------|-------------------|-----------|
| Supplier: - | Tool No: - | Weight [kg]: 0.66 | Volume: - |
|-------------|------------|-------------------|-----------|

**ENSTO**  
Ensto Smart Buildings



**SABP181815HG**

|       |         |          |
|-------|---------|----------|
| Scale | Date    | 28.09.20 |
| 1:3   | By      | PKos     |
| -     | Checked |          |
| -     | Ctrl    |          |

|           |              |
|-----------|--------------|
| Replaces: |              |
| Replaced: |              |
| Drw No: - | A            |
| Ref:      | Cubo S       |
| Code:     | SABP181815HG |
| Sheet No: |              |

model SABP181815HG PART  
drawing SABP181815HG PK1 DRAWING