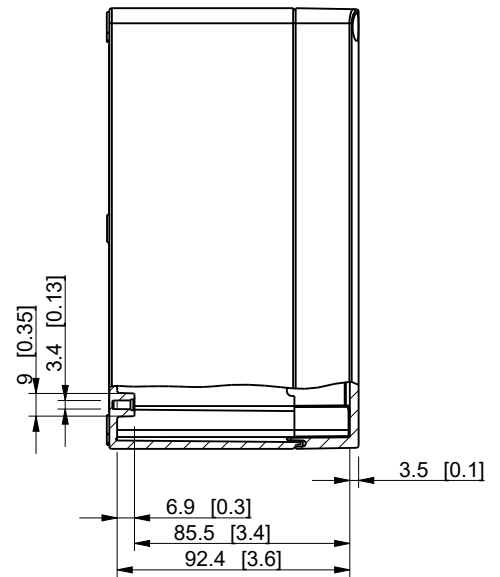
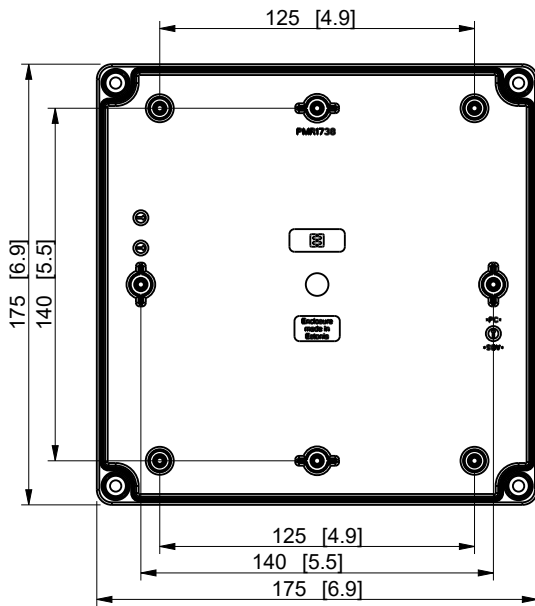
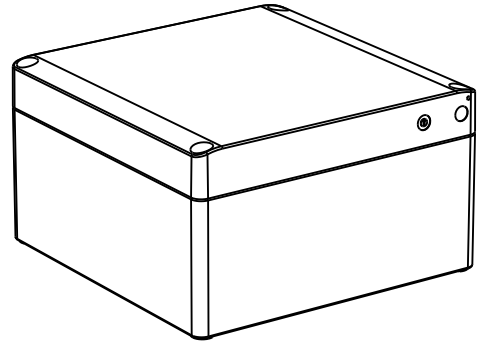
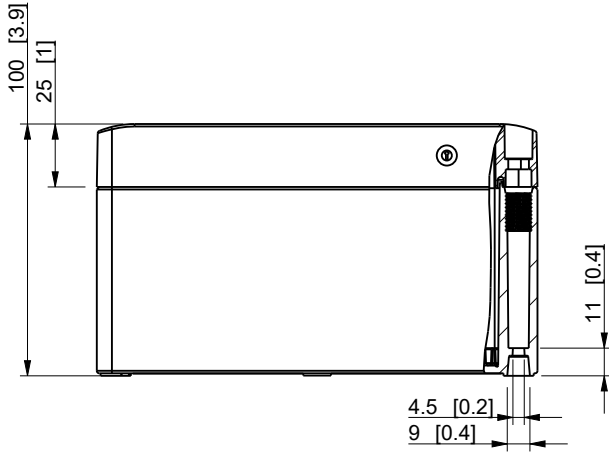

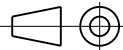


ID	Description	Date	By	Appr.
A				



Dimensions in mm [inches]

model SABP181810HT PART drawing SABP181810HT_PK1 DRAWING	Material: ABS		Color: RAL 7035		
	Supplier: -		Tool No: -		
	Weight [kg]: 0.51		Volume: -		
	 Ensto Smart Buildings				Replaces:
					Replaced:
	Scale		Date		Drw No: - A
	1:3		28.09.20		Ref: Cubo S
-		By		Code: SABP181810HT	
-		Checked		Sheet No:	
-		Ctrl			

SABP181810HT