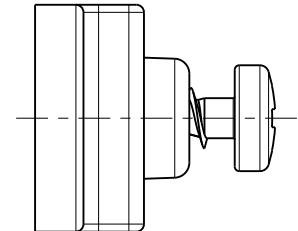
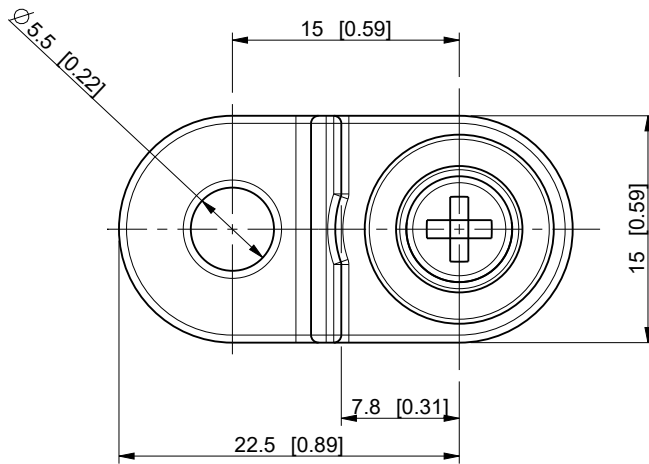
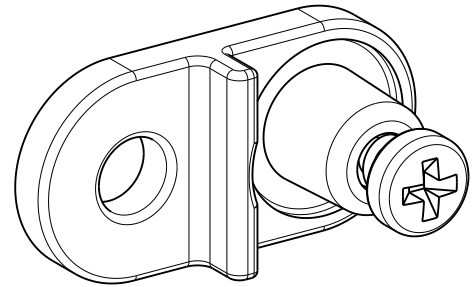
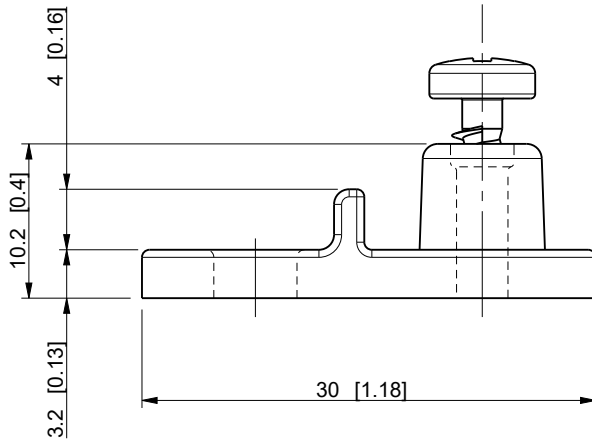

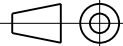


ID	Description	Date	By	Appr.
A				



Dimensions in mm [inches]

model SFL1_PART drawing PROCUS_SFL1_DRAWING	Material: -		Color: RAL7035	Weight (kg): 0,0028	
	 Ensto Finland Oy Ensto Smart Buildings		 <b>Fastening Lug</b>		Replaces:
					Replaced:
	Scale	Date	22.9.2020		
	2:1	By	KA		
-	Checked				
-	Ctrl				
				Drw No: A	
				Ref: Cubo S	
				Code: SFL1	
				Sheet No:	