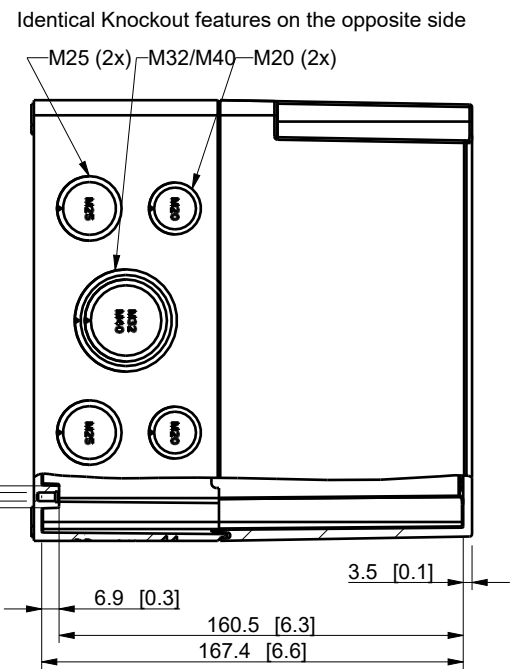
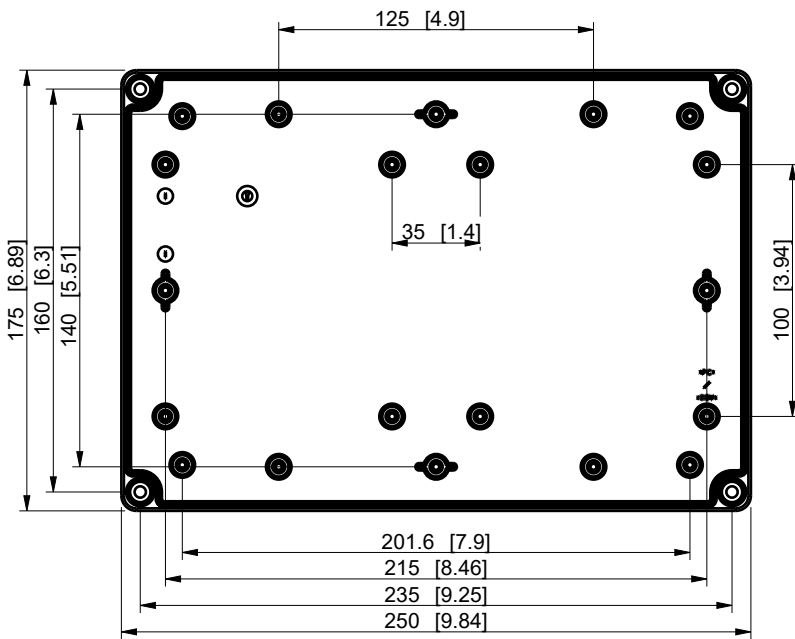
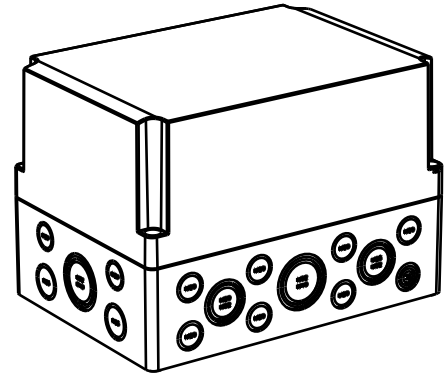
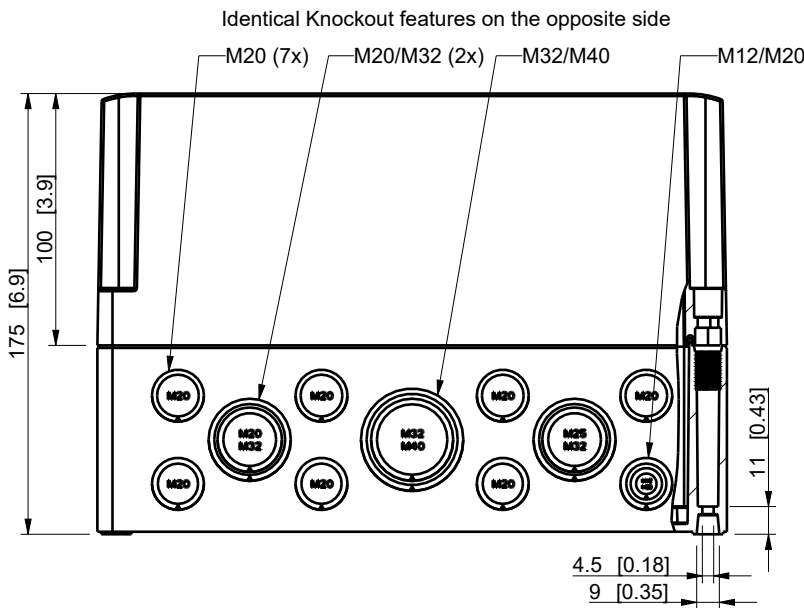

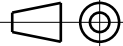


ID	Description	Date	By	Appr.
A				



Dimensions in mm [inches]

model SPCM182518HT PART drawing SPCM182518HT PK1 DRAWING	Material: Polycarbonate, fiberglass-reinforced		Color: RAL 7035		
	Supplier: -		Tool No: -		
	Weight [kg]: 0.93		Volume: -		
	 Ensto Smart Buildings				Replaces:
					Replaced:
	Scale		Date		Drw No: - A
1:3		27.01.20		Ref: Cubo S	
-		By		Code: SPCM182518HT	
-		Checked		Sheet No:	
-		Ctrl			
<h1>SPCM182518HT</h1>					