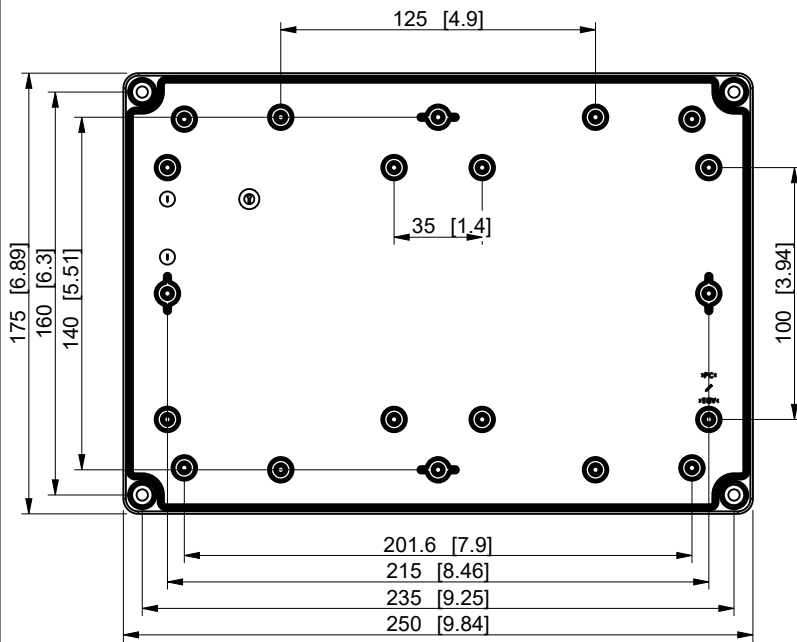
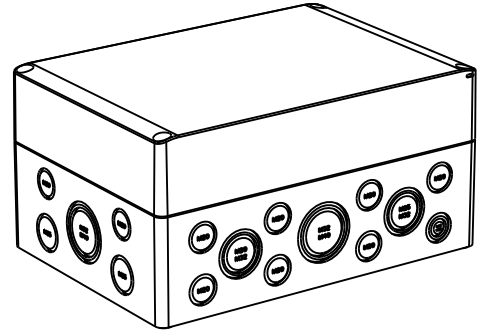
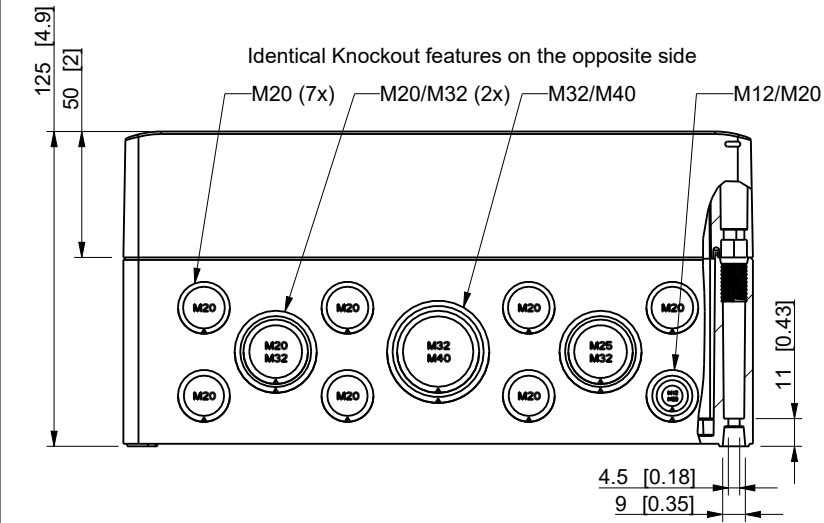
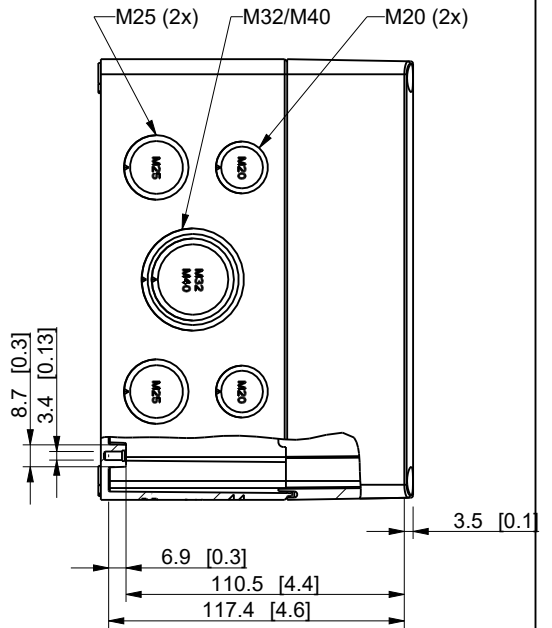



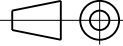
ID	Description	Date	By	Appr.
A				



Identical Knockout features on the opposite side



Dimensions in mm [inches]

model SPCM182513HG PART drawing SPCM182513HG PK1 DRAWING	Material: Polycarbonate, fiberglass-reinforced		Color: RAL 7035	
	Supplier: -		Tool No: -	
 Ensto Smart Buildings				Weight [kg]: 0.92
				Volume: -
SPCM182513HG		Replaces:		
		Replaced:		
		Drw No: -		A
		Ref: Cubo S		
		Code: SPCM182513HG		
Sheet No:				