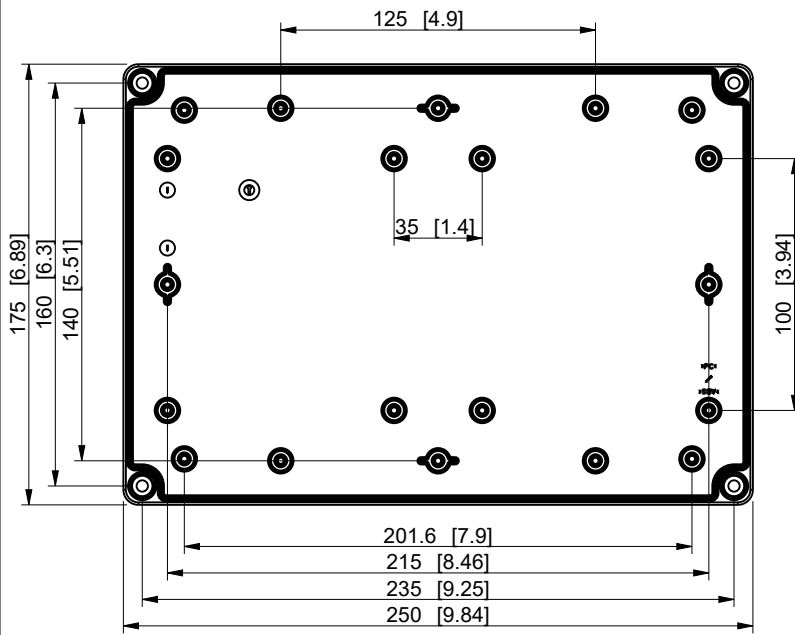
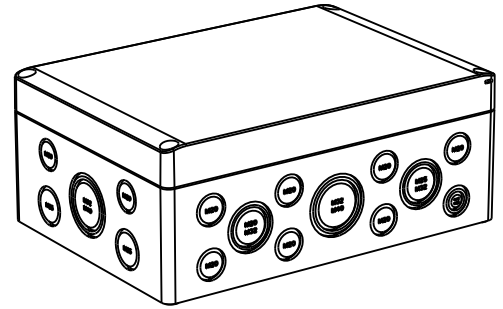
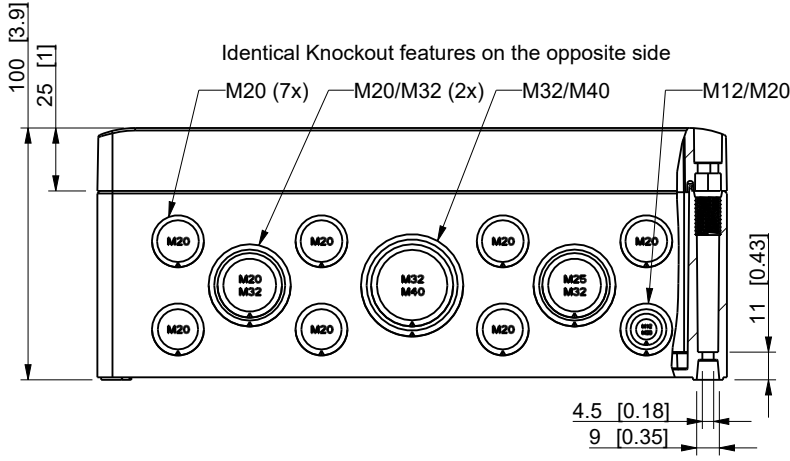
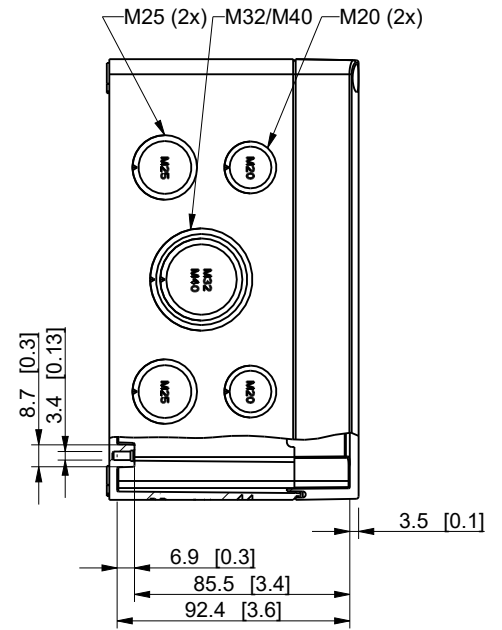



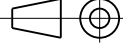
ID	Description	Date	By	Appr.
A				



Identical Knockout features on the opposite side



Dimensions in mm [inches]

model SPCM182510HT PART drawing SPCM182510HT_PK1 DRAWING	Material: Polycarbonate, fiberglass-reinforced		Color: RAL 7035	
	Supplier: -		Tool No: -	
	Weight [kg]: 0.92		Volume: -	
	 Ensto Smart Buildings		 SPCM182510HT	
Scale: 1:3 Date: 27.01.20 By: AKu Checked: - Ctrl: -		Replaced: Drw No: - A Ref: Cubo S Code: SPCM182510HT Sheet No:		