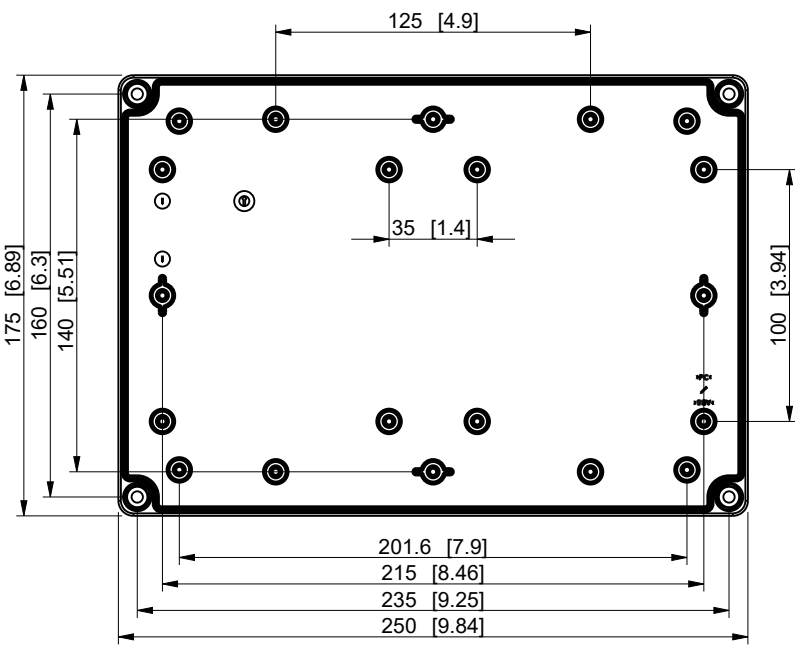
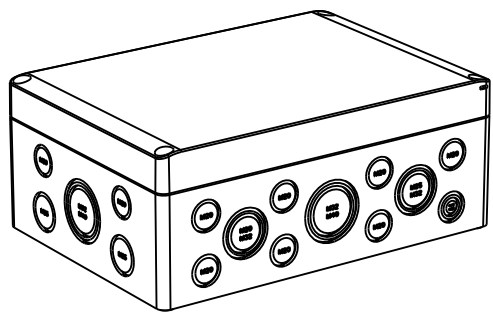
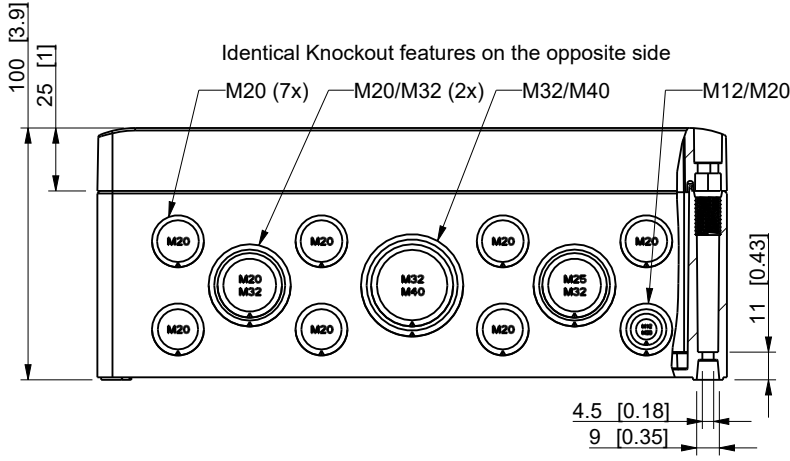
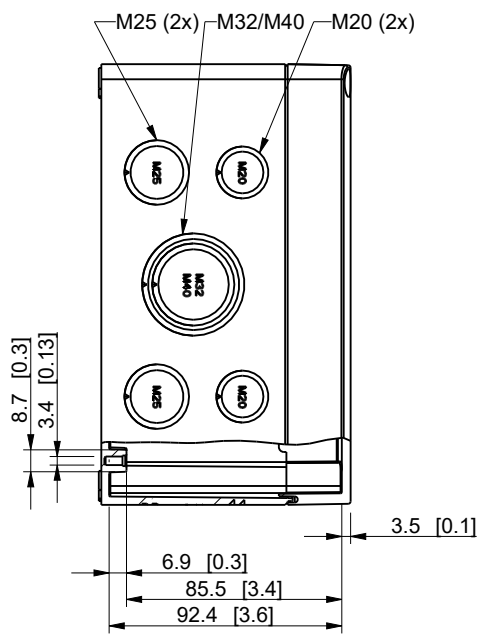



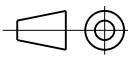
ID	Description	Date	By	Appr.
A				



Identical Knockout features on the opposite side



Dimensions in mm [inches]

model SPCM182510HG PART drawing SPCM182510HG PK1 DRAWING	Material: Polycarbonate, fiberglass-reinforced		Color: RAL 7035		
	Supplier: -		Tool No: -		
	Weight [kg]: 0.92		Volume: -		
	 Ensto Smart Buildings		 <h2 style="margin: 0;">SPCM182510HG</h2>		
	Scale	Date			27.01.20
1:3	By	AKu			
-	Checked				
-	Ctrl			Replaces:	
				Replaced:	
				Drw No: - A	
				Ref: Cubo S	
				Code: SPCM182510HG	
				Sheet No:	