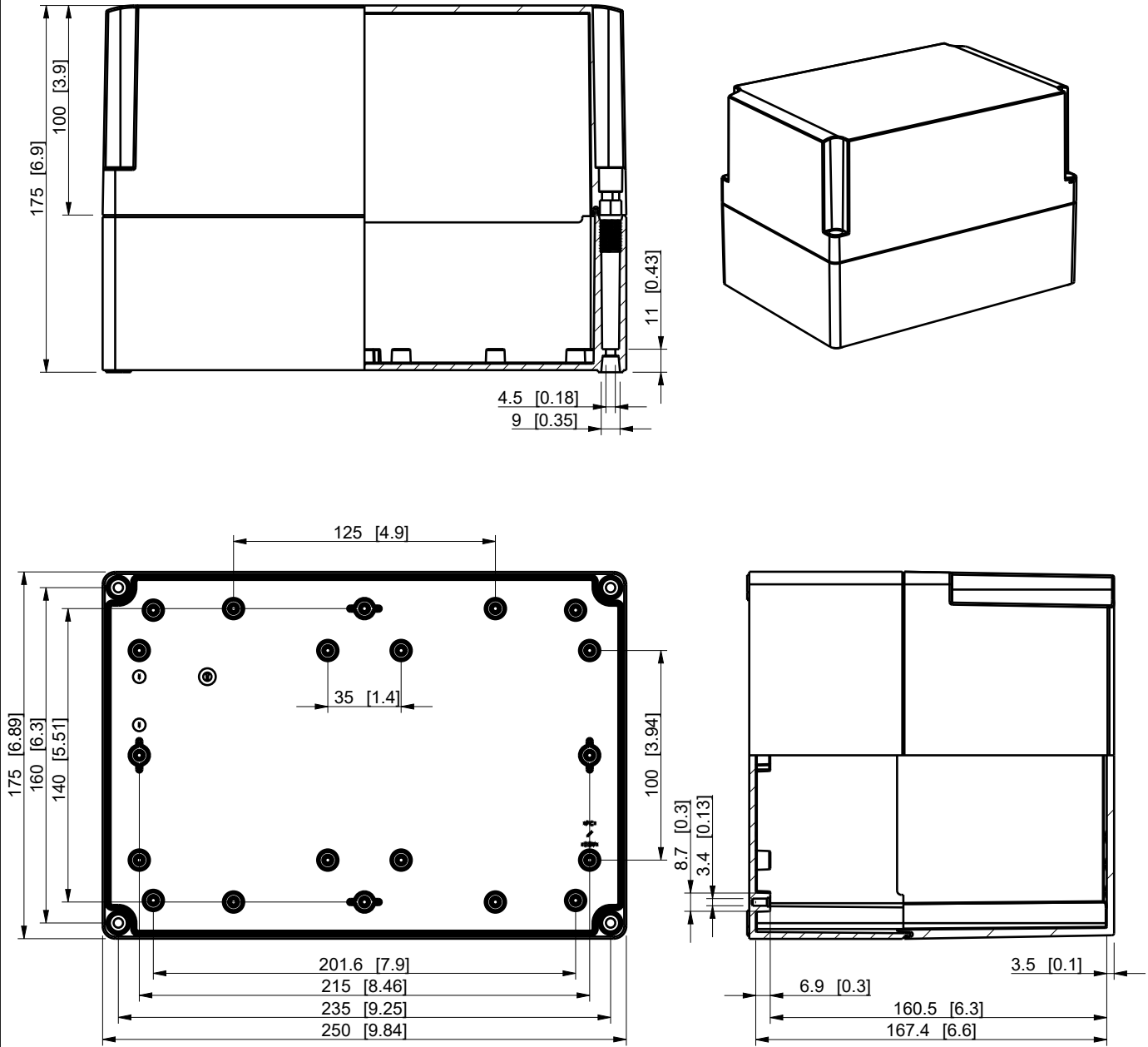

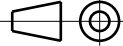


ID	Description	Date	By	Appr.
A				



Dimensions in mm [inches]

model SABP182518HT PART drawing SABP182518HT_PK1 DRAWING	Material: ABS		Color: RAL 7035	
	Supplier: -		Tool No: -	
	Weight [kg]: 0.94		Volume: -	
	 Ensto Smart Buildings		 SABP182518HT	
	Scale	Date	27.01.20	
	1:3	By	AKu	
-	Checked			
-	Ctrl			
Drw No: -		A		
Ref: Cubo S				
Code: SABP182518HT				
Sheet No:				