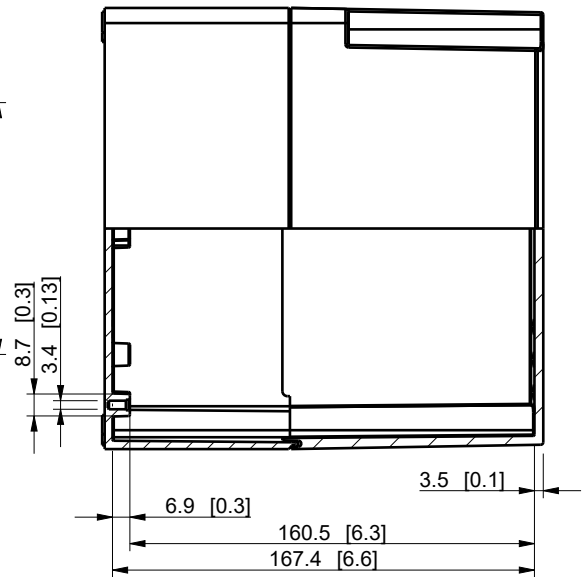
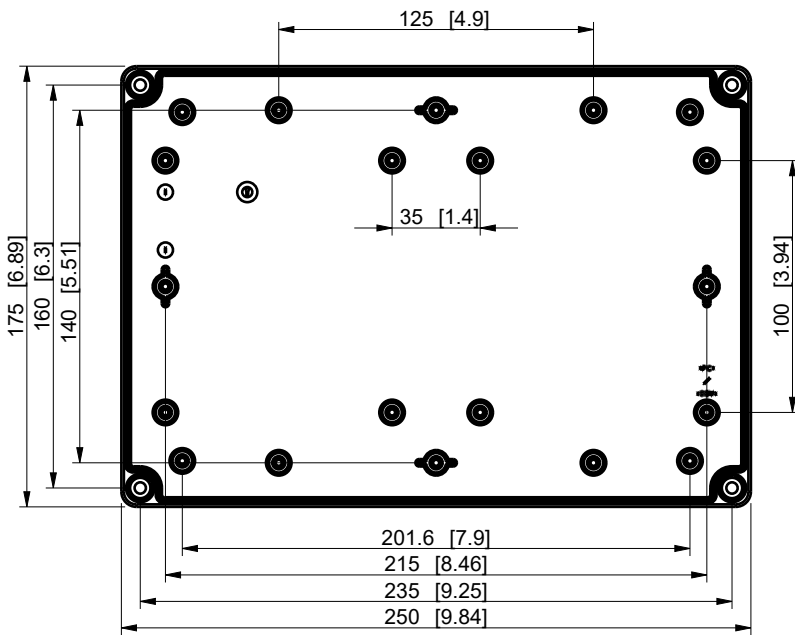
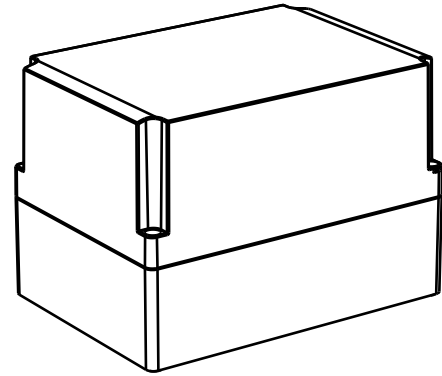
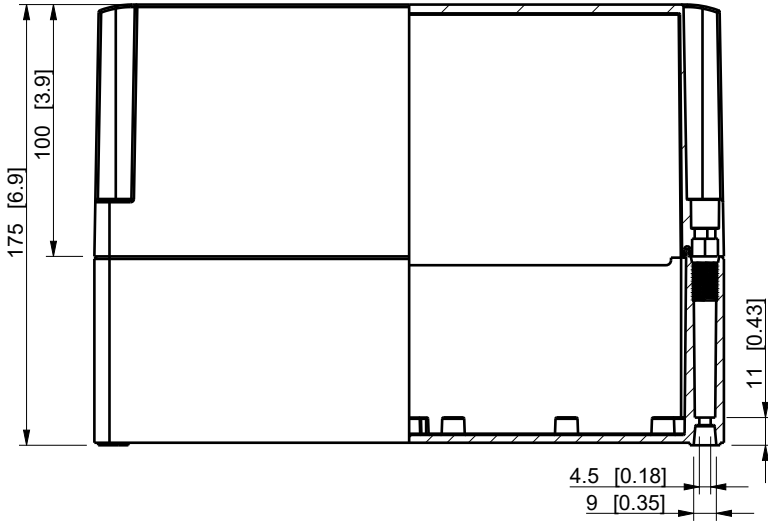

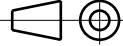


ID	Description	Date	By	Appr.
A				



Dimensions in mm [inches]

model SABP182518HG PART drawing SABP182518HG PK1 DRAWING	Material: ABS		Color: RAL 7035	
	Supplier: -		Tool No: -	
	Weight [kg]: 0.94		Volume: -	
	 Ensto Smart Buildings		 SABP182518HG	
	Replaced:		Drw No: - A	
	Ref: Cubo S		Code: SABP182518HG	
Scale: 1:3		Date: 27.01.20		
- By: AKu		- Checked: -		
- Ctrl: -		- Sheet No: -		