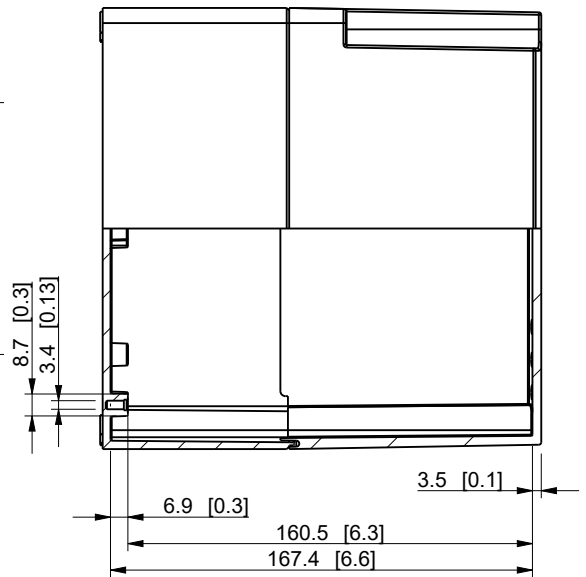
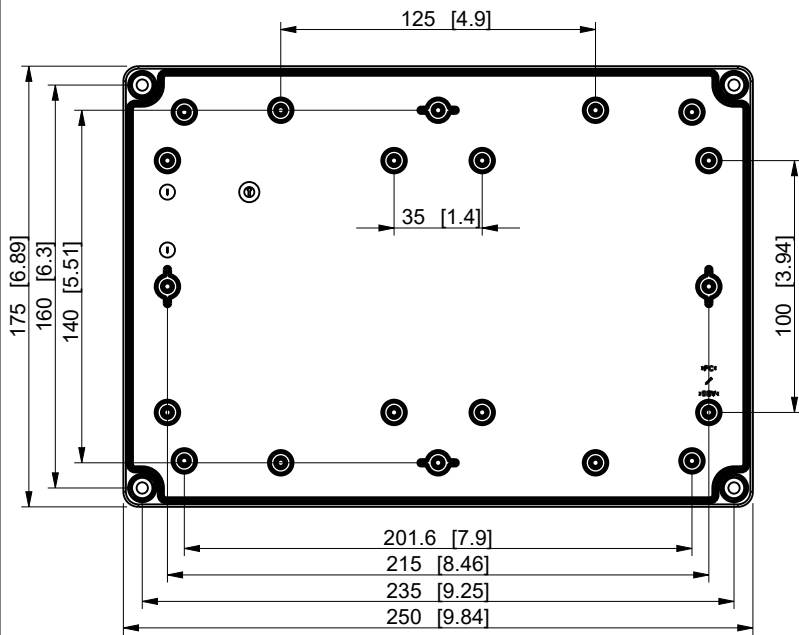
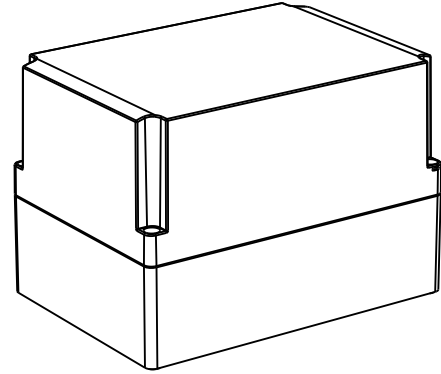
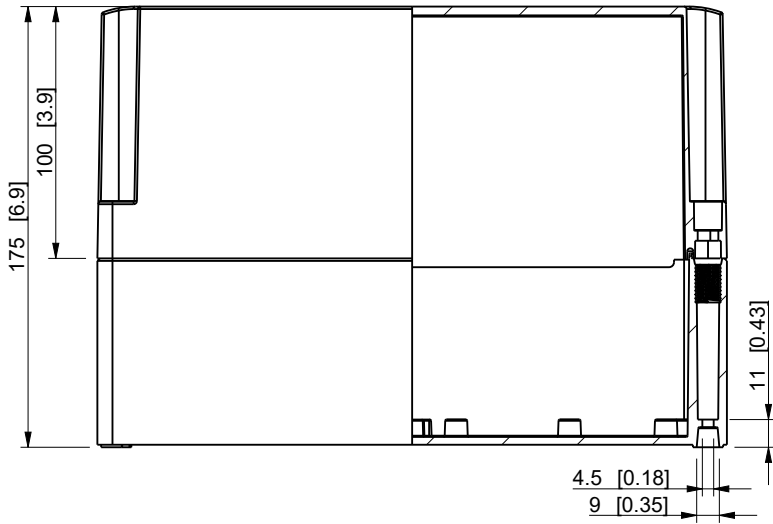


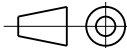
ID	Description	Date	By	Appr.
A				



Dimensions in mm [inches]

Material: Polycarbonate, fiberglass-reinforced      Color: RAL 7035

Supplier: -      Tool No: -      Weight [kg]: 0.94      Volume: -



SPCP182518HG

Scale	Date	28.01.20
1:3	By	AKu
-	Checked	
-	Ctrl	

Replaces:	
Replaced:	
Drw No:	- A
Ref:	Cubo S
Code:	SPCP182518HG
Sheet No:	

model SPCP182518HG PART  
 drawing SPCP182518HG PK1 DRAWING