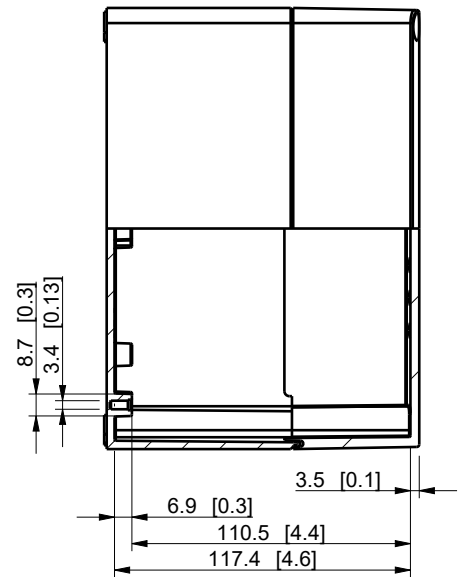
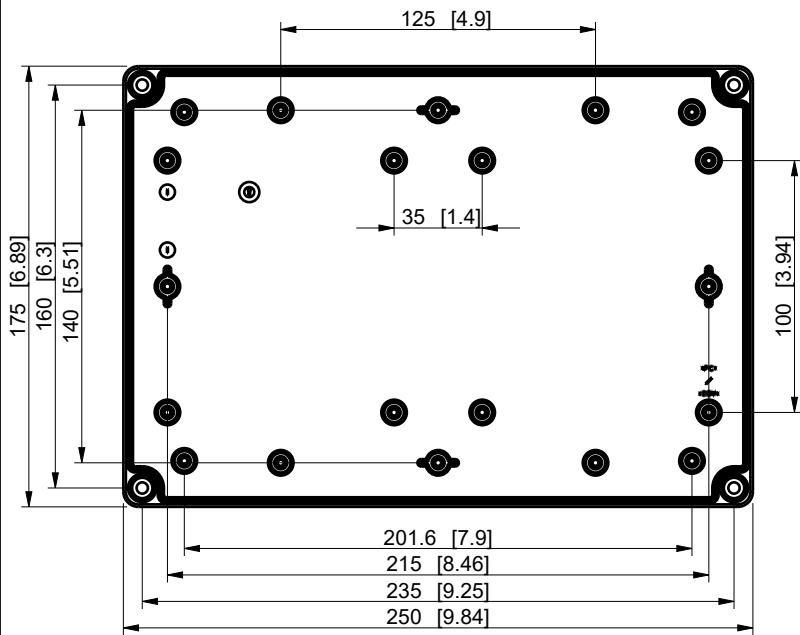
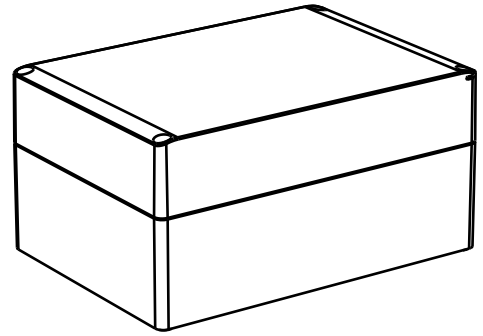
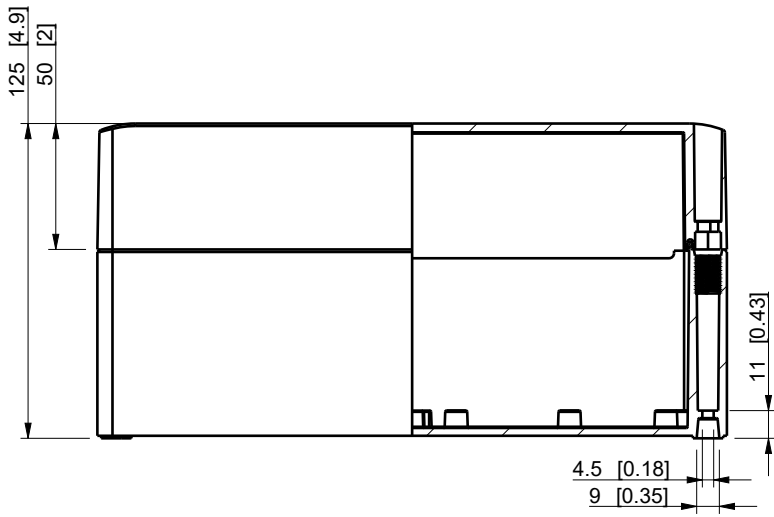

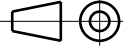


ID	Description	Date	By	Appr.
A				



Dimensions in mm [inches]

model SPCP182513HG PART drawing SPCP182513HG PK1 DRAWING	Material: Polycarbonate, fiberglass-reinforced		Color: RAL 7035	
	Supplier: -		Tool No: -	
	Weight [kg]: 0.78		Volume: -	
	 Ensto Smart Buildings		 SPCP182513HG	
Scale	Date	Drw No:	A	
1:3	27.01.20	Ref:	Cubo S	
-	By	Code:	SPCP182513HG	
-	Checked	Sheet No:		
-	Ctrl			