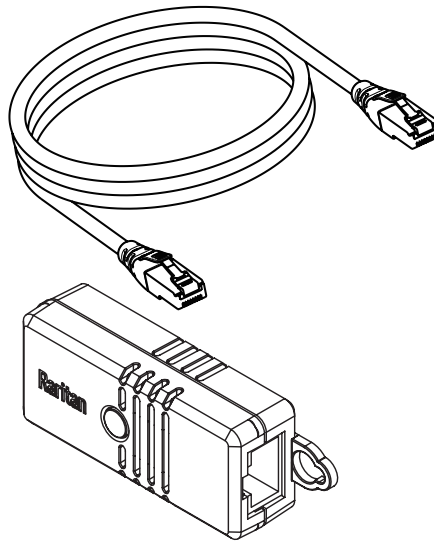
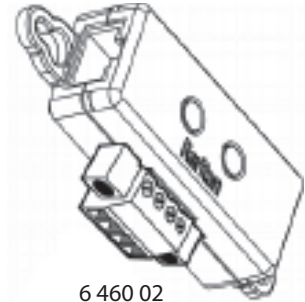


6 460 00



6 460 01



6 460 02

## 1. GENERAL CHARACTERISTICS

### ■ 1.1 Présentation

The 3 sensors can be plugged into switched or metered PDU port with a RJ45 cable. They are automatically detected, and values are displayed.

- 6 460 00 : Temperature sensor + one Cat 6 U/UTP RJ45/RJ45 3 meters cord

- 6 460 01 : Temperature and humidity sensor + one Cat 6 U/UTP RJ45/RJ45 3 meters cord

- 6 460 02 : Contact closure

## 2. TECHNICAL SPECIFICATIONS

- 6 460 00

Measurement range (Celcius)	-20°C to 70°C
Measurement resolution (Celcius)	0.1°C
Measurement accuracy (Celcius)	-20°C to 20°C : ± 2°C 20°C to 70°C : ± 0.5°C
Measurement range (Fahrenheit)	-4F to 158F
Measurement resolution (Fahrenheit)	1F
Measurement accuracy (Fahrenheit)	-4F to 68F : ± 2F 68F to 158F : ± 0.5F
communication ports RJ45 number	2
Power consumption	Typical 57.6 mW and 79 mW with alarm indicator on

- 6 460 01

Temperature :

Measurement range (Celcius)	-20°C to 70°C
Measurement resolution (Celcius)	0.1°C
Measurement accuracy (Celcius)	-20°C to 20°C : ± 2°C 20°C to 70°C : ± 0.5°C
Measurement range (Fahrenheit)	-4F to 158F
Measurement resolution (Fahrenheit)	1F
Measurement accuracy (Fahrenheit)	-4F to 68F : ± 2F 68F to 158F : ± 0.5F
communication ports RJ45 number	2
Power consumption	typical 57.6 mW and 80.4 mW with alarm indicator on

Humidity :

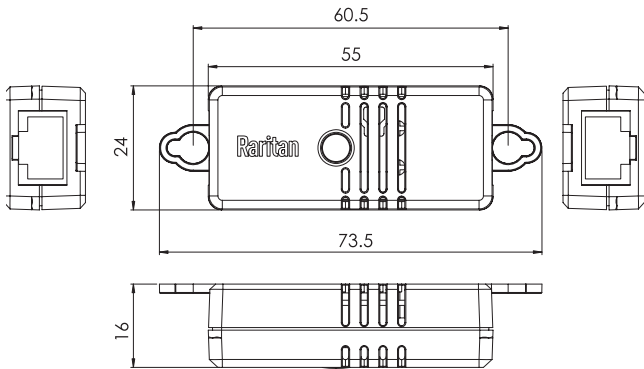
Measurement range	0%RH to 100%RH
Measurement resolution	1%
Measurement accuracy	± 2.5%RH at 25°C
Power consumption	Typical 57.6 mW and 80.4 mW with alarm indicator on

- 6 460 02

Contact number	2
Dry contact only	Yes
Default Configuration	NO (Normally open)
Wire gauge range	14 - 28 AWG
Nombre de ports de communication RJ45	2
Power consumption	Typical 54 mW and 99.6 mW with two leds on

**3. DIMENSIONS**

- 6 460 00/01



- 6 460 02 (without block)

