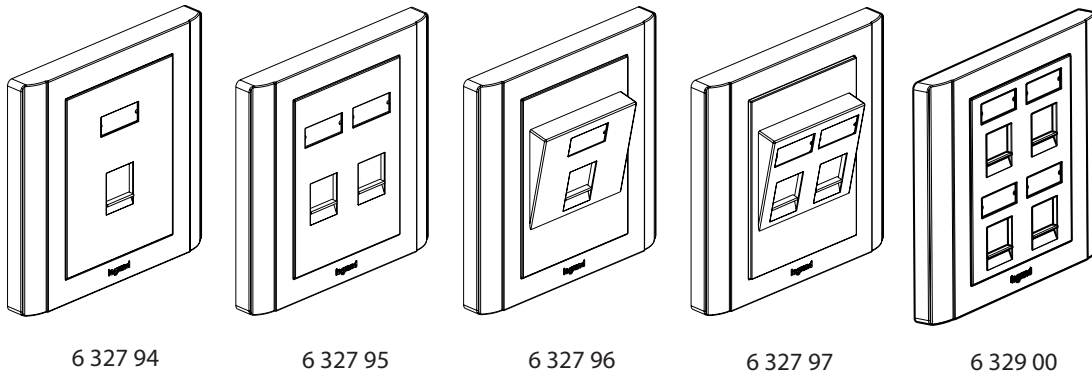


Faceplate 1, 2 or 4 ports (flat or angled) - Keystone connectors

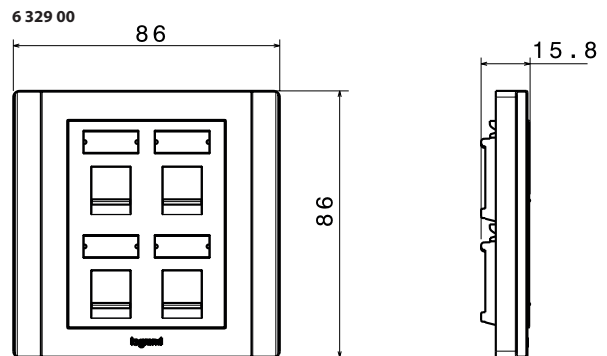
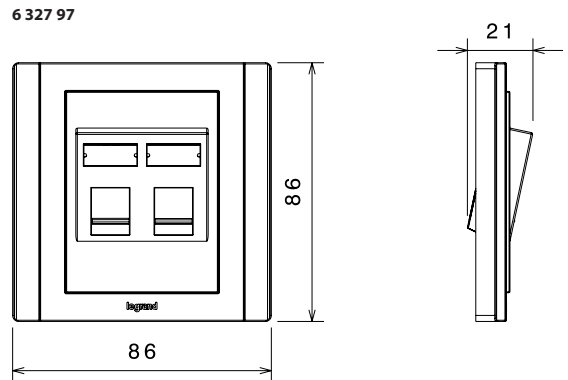
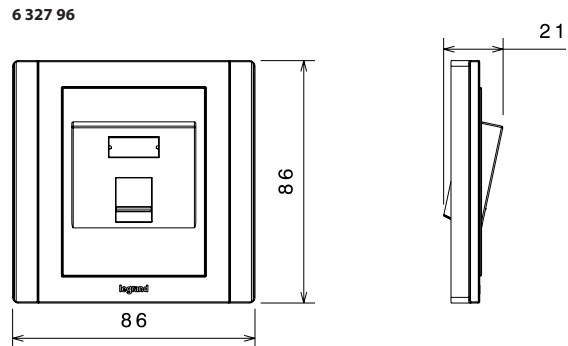
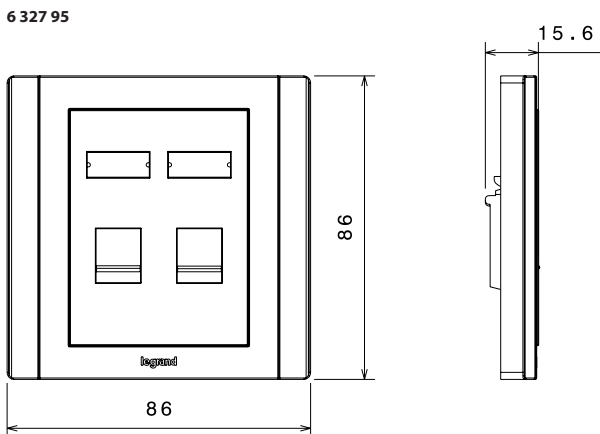
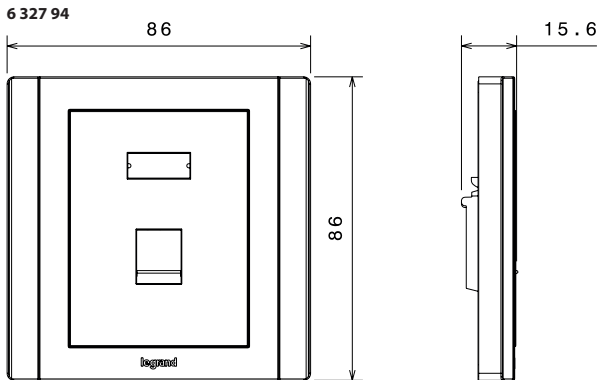
Cat. No : 6 327 94/95/96/97,
 6 329 00



1. GENERAL CHARACTERISTICS

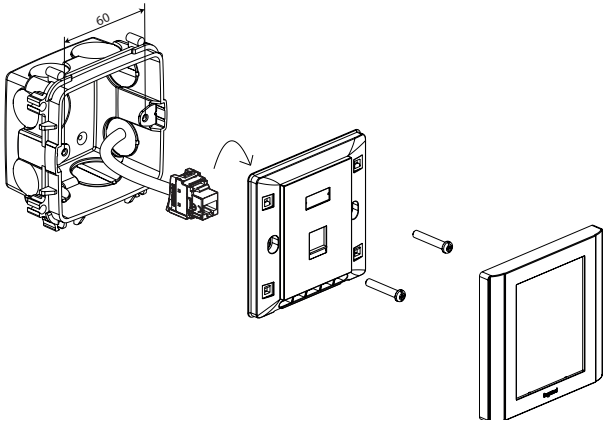
Faceplate 1, 2 or 4 ports box (angled or no) with registration windows.
 For keystone connectors
 Provides a solution for the integration of a keystone connector in installations.
 Color : white

2. OVERALL DIMENSIONS

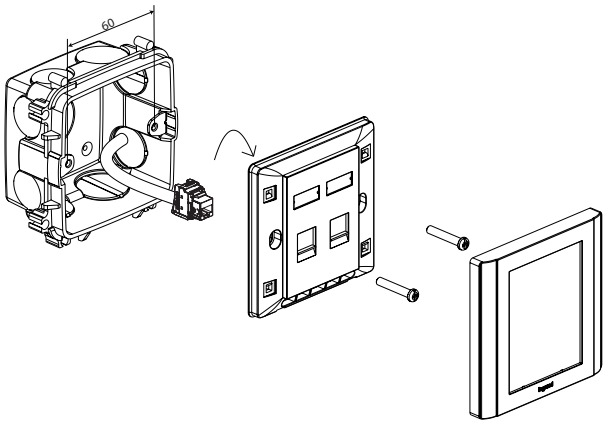


3. INSTALLATION

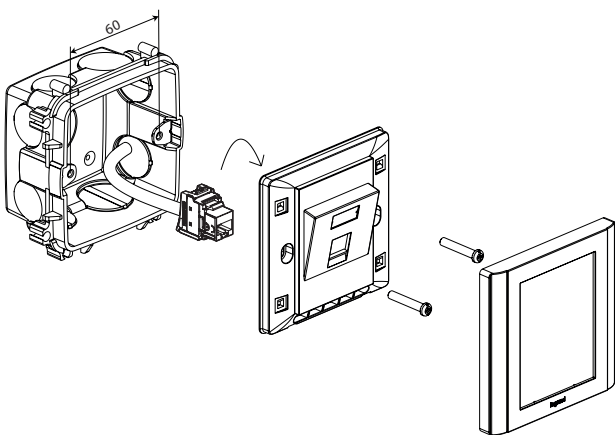
6 327 94



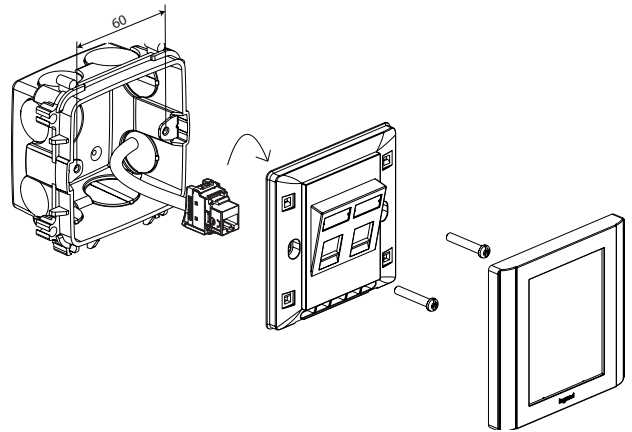
6 327 95



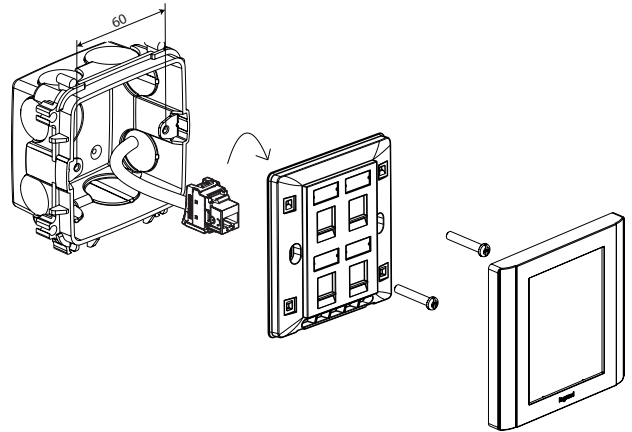
6 327 96



6 327 97



6 329 00



4. MATERIAL

All plastic parts : PC
Spring an screws : steel