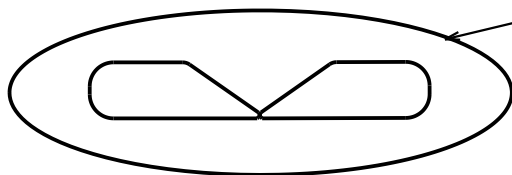


COUPE FIL GM  
CABLE TRAY CUTTER GM

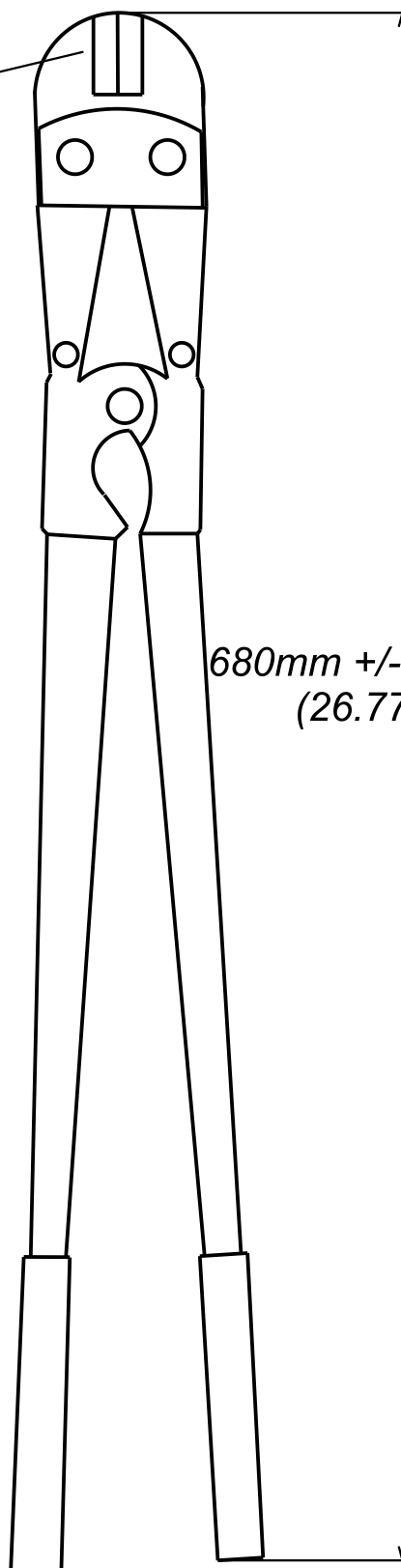
FT0488

11 13



COUPE TONDEUSE

DETAIL DES LAMES  
MATIERE DURETE HRC 44



680mm +/- 50mm  
(26.77")

REF	CODE	POIDS (Kg)	WEIGHT (lb)
COUPE FIL	559 507	2.700	5.960