

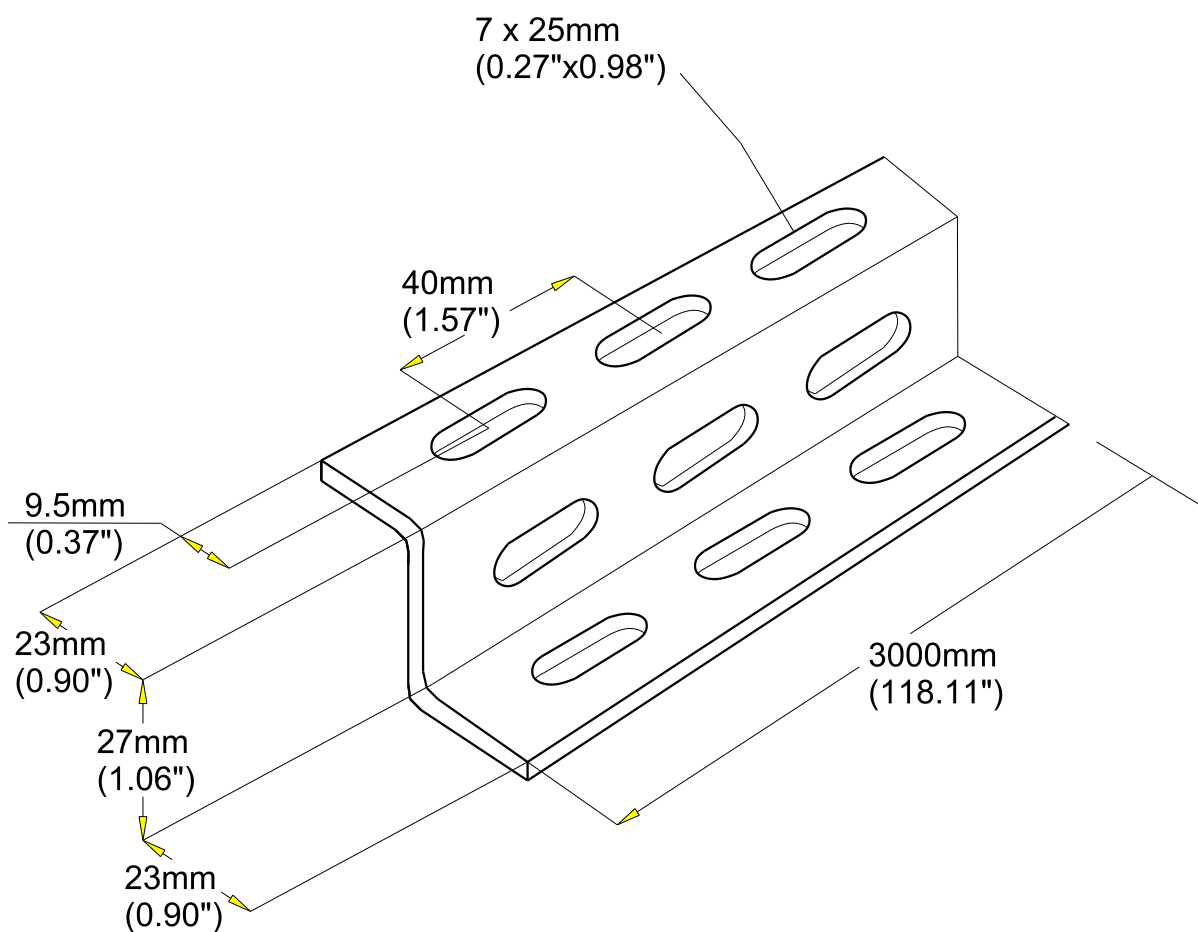
PROFIL Z Z24x24x24
Z SECTION Z24x24x24

INOX 316L

legrand | CABLE
MANAGEMENT

FT0262-4

03 16



Material	Standard
X2 CrNiMo 17-12-2	EN 10088-2

EPAISSEUR / THICKNESS
1.5 / (0.06")

REF	CODE	POIDS (Kg/m)	WEIGHT (lb/ft)
Z 24x24x24	923 214	0.600	0.404