

## 1. GENERAL CHARACTERISTICS

Flush-mounting boxes for lofts

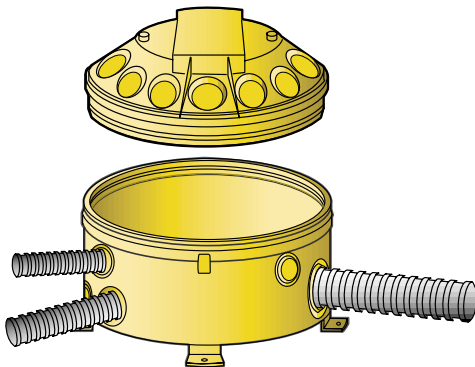
## 2. TECHNICAL CHARACTERISTICS

- Case: yellow polypropylene
- Dimensions:  $\varnothing$  140 x 100 mm
- Precut entries available (side entries or at 45° on the cover):
  - 5 side  $\varnothing$  20 mm
  - 3 side  $\varnothing$  25 mm
  - 1 side  $\varnothing$  32 mm
  - 12 on cover  $\varnothing$  20 mm
  - 2 on cover  $\varnothing$  25 mm
- Rodent-proof sealed cover
- Reverse-lock tube entries
- Self-extinguishing at 850° C / 5 s
- $\leq$  15 outlets
- Min. and max. temperature:
  - operating: - 5 to 40° C
  - installation: - 5 to 60° C

## 3. USE

Can also be mounted on false ceilings and platform using screw, point or clip fixings

## 4. MOUNTING



## 5. DIMENSIONS

