

### 1. GENERAL CHARACTERISTICS

Flush-mounting box for dry partitions used to mount 20 and 32 A socket outlets

### 2. TECHNICAL CHARACTERISTICS

- Case: yellow polypropylene
- Claws and screws: white galvanized steel
- Dimensions: Ø 85 mm
- Self-extinguishing at 850°C / 5 s
- Entries:

Cat. Nos.	Sides	Bottom
893 48	1 x 15	1 x 15
	4 x 20	4 x 20
893 58	1 x 15	1 x 15
	2 x 25	2 x 25

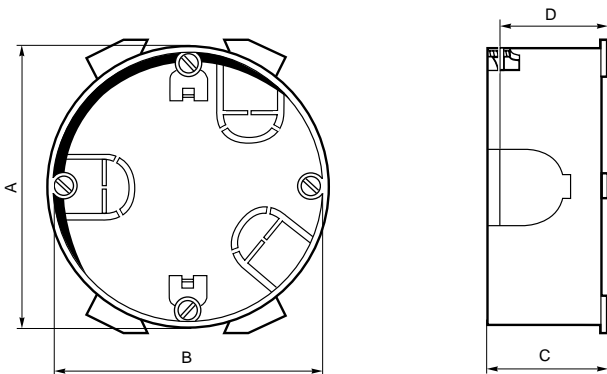
- Min. and max. temperature:  
- operating: - 5° to 40°C  
- installation: - 5° to 60°C

### 3. USE

For 20 to 32 A sockets and for 20/32 cable outlets

### 4. MOUNTING

Boxes to be flush-mounted on plasterboard and plywood  
Drill with saw  
Tighten using 2 clamps



### 5. DIMENSIONS

Cat. Nos.	A	B	C	D
893 48	86	83	38	37
893 58	86	83	48	46

### 6. ACCESSORIES

Cat. No. 892 85: 100 x 100 mm cover supplied complete with fixing screws