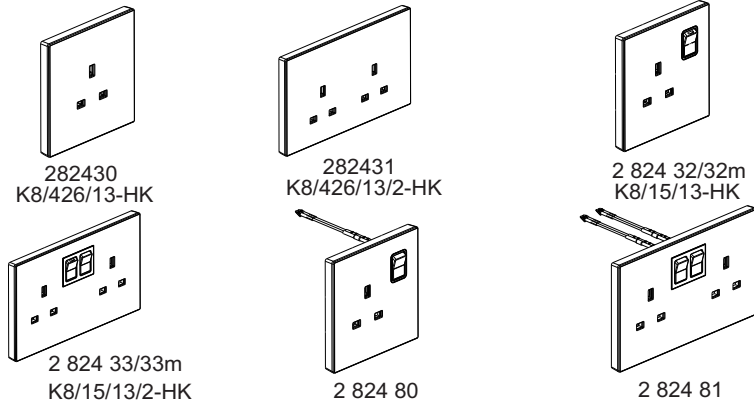


Galion™ 13A BS socket

Cat. No(s): K8/426/13-HK K8/426/13/2-HK K8/15/13-HK
2 824 30/31/32/32m/33/33m/80/81
K8/15/13/2-HK



CONTENTS

1. Use.....	1
2. Range.....	1
3. Preparation.....	1
4. Overall dimensions.....	2
5. Connection.....	2
6. Operation.....	2
7. Technical characteristics.....	2
8. Cleaning.....	3
9. Conformity - Approvals.....	3

1. USE

One and two gang switched and unswitched 13A socket outlets designed to accept BS 1363 fused plugs.
(Supplied with M3.5 screws for BS boxes. Flush mounting or Surface mounting.)

2. RANGE

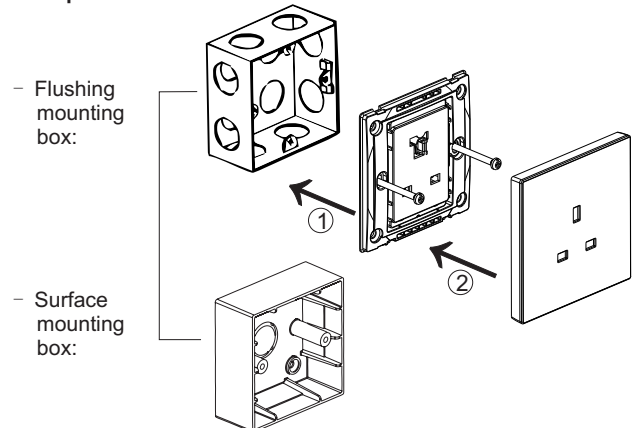
	Designation	Cat. No.	Weight (g)	Characteristics
	1G BS 13A Socket	2 824 30 K8/426/13-HK	71.2	13 A - 250VAC
	2G double BS 13A Socket	2 824 31 K8/426/13/2-HK	124.3	13 A - 250VAC
	1G BS 13A Switched Socket	2 824 32/32m K8/15/13-HK	78.3	13 A - 250VAC
	2G double BS 13A Switched Socket	2 824 33/33m K8/15/13/2-HK	137	13 A - 250VAC
	BS13A SWT SOCKET + LED	2 824 80	79	13 A - 250VAC
	2G DOUBLE BS 13A SWITCHED SKT+LED	2 824 81	139	13 A - 250VAC

Colours

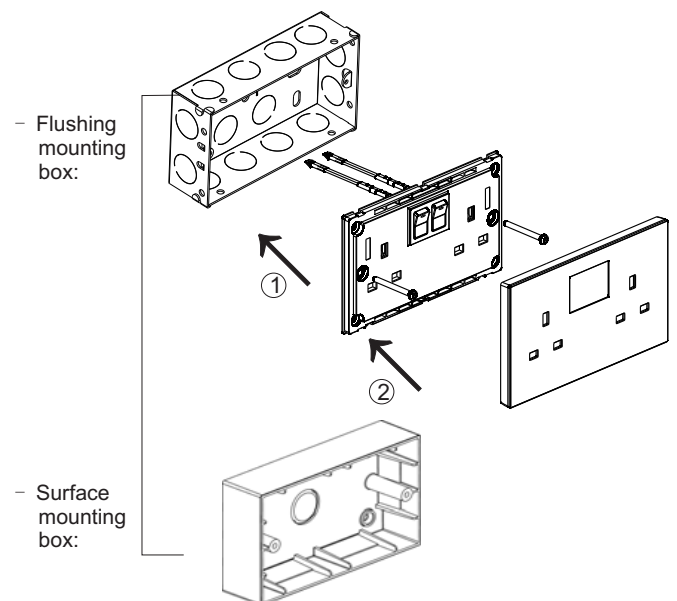
- Front: white/rose golden/champagne/dark silver
- Rear: white/rose golden/champagne/dark silver
- X XXX XX White
- X XXX XX-C Matt black
- X XXX XX-C1 Rose golden
- X XXX XX-C2 Champagne
- X XXX XX-C3 Dark silver

3. PREPARATION

3.1 Preparation for 1G socket



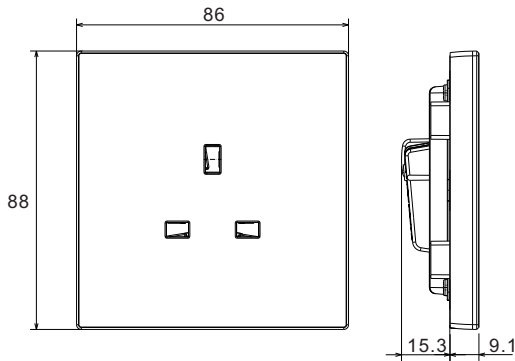
3.2 Preparation for 2G socket



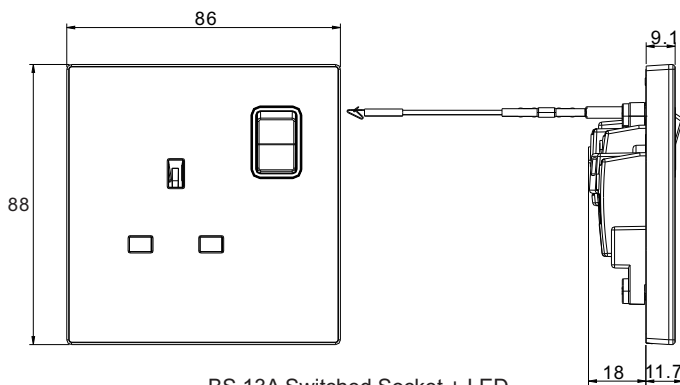
Galion™ 13A BS socket

Cat. No(s): K8/426/13-HK K8/426/13/2-HK K8/15/13-HK
2 824 30/31/32/32m/33/33m/80/81
K8/15/13/2-HK

4. OVERALL DIMENSIONS

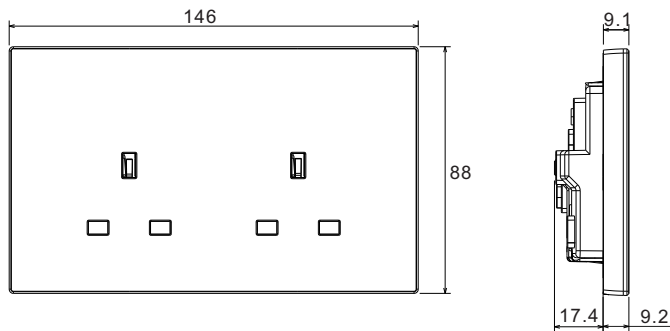


BS 13A Socket

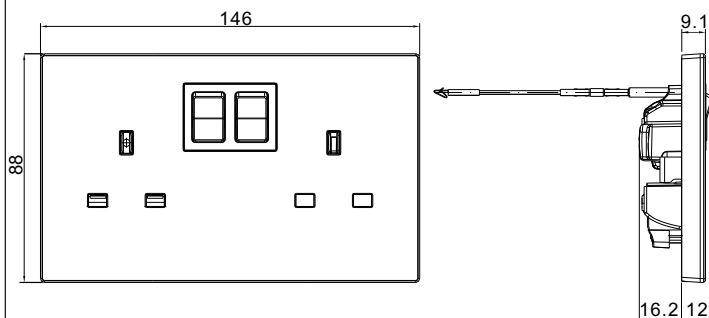


BS 13A Switched Socket + LED

Profile Size: 86 × 88 mm
Distance of installation hole: 60.3 mm



2g double BS 13A Socket



2g double BS 13A Socket+LED

Profile Size: 146 × 88 mm
Distance of installation hole: 120.6 mm

5. CONNECTION

5.1 Terminals

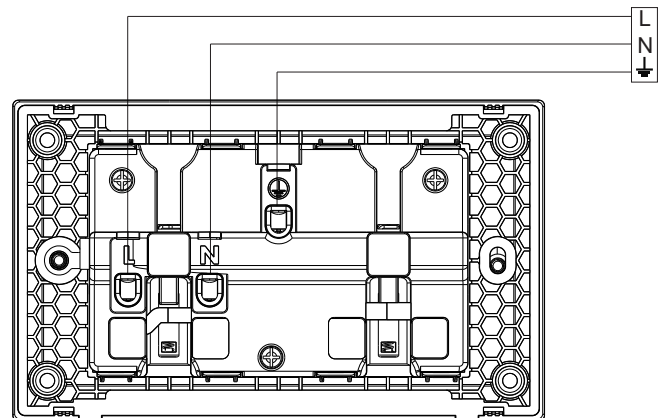
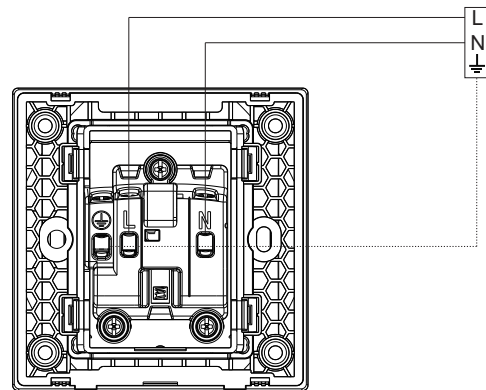
The type of Terminals : pillar terminal

Terminal capacity: 3 × 1 mm²
3 × 1.5 mm²
2 × 2.5 mm²
1 × 4 mm²
1 × 6 mm²

Recommended screwdriver size: 4 mm flat blade

Recommended stripping length: 12 mm

5.2 Circuit diagrams



6. OPERATION

Standard operation by insertion or withdrawal of a plug to normalized standard.

7. TECHNICAL CHARACTERISTICS

7.1 Material characteristics

Rocker: Polycarbonate

Frame: Polycarbonate

Base: Polyamide

Self-extinguishing:

+ 850° C / 30 s for insulating parts holding live parts in place

+ 650° C / 30 s for other parts made of insulating materials

7.2 Electrical characteristics

Voltage: 250VAC

Current: 13A

Galion™ 13A BS socket

Cat. No(s): K8/426/13-HK K8/426/13/2-HK K8/15/13-HK
2 824 30/31/32/32m/33/33m/80/81
K8/15/13/2-HK

7.4 Climatic characteristics

Storage temperatures: -10°C to +70°C
Operating temperatures: -5°C to +50°C

7.5 Mechanical characteristics

Impact test: IK04
Protection against liquids: IP20

8. CLEANING

Surface cleaning with a soft, slightly damp cloth.
Do not use: acetone, tar remover, trichloroethylene

9. CONFORMITY - APPROVALS

Conform to BS 1363-2 ; 1995, SS 145-2, MS 589-2, IEC 60884-1,
IEC 60884-2-3.