



CONTENTS

Page

| | |
|------------------------------------|---|
| 1. General characteristics | 1 |
| 2. Technical characteristics | 2 |
| 3. Dimensions | 2 |
| 4. Fan | 3 |
| 5. 10" fixed shelf | 3 |

1. GENERAL CHARACTERISTICS

Linkeo wall-mounting cabinets are intended for digital infrastructures.

Linkeo 10" wall-mounting cabinet is metal and provide IP20-IK08 protection. It has a screen-printed safety glass door and is finished throughout in charcoal grey RAL 7016.

A fan and a fixed shelf complete the range.

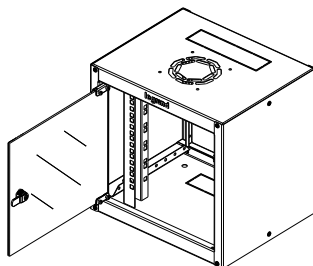
■ 1.1 Presentation

Linkeo 10" wall-mounting cabinet with fix side panels is delivered ready-assembled.

The main parts of cabinet are:

- A riveted framework consisting of 2 end plates (top and bottom) and 2 side panels
- A back base
- A screen-printed flat glass front door
- Two 10" uprights

The cabinet includes 3 precut cable entries (upper, lower and rear) which can be knocked with a mallet. Cable entries can be equipped with the brush supplied with the cabinet.



The top end plate includes 1 perforation for natural ventilation, capable of taking the fan cat. n° 0 462 60 (see section 4).

The door is made of a flat colourless transparent glass with screen-printing on the vertical edges and is fitted with a locking bolt. The door is removable and reversible.

The side panels are not removable.

The 10" uprights have dual marking of the Us and can be adjusted in depth by 30 mm steps.

The 10" uprights are perforated with 9.5 x 9.5 mm square holes.

1. GENERAL CHARACTERISTICS (continued)

■ 1.2 Standards

Linkeo 10" wall-mounting cabinet complies with the following standards:

| | |
|---|--|
| IEC 60529 EN 60529 | (NF C 20-010) Degrees of protection provided by enclosures (IP code) |
| IEC 62262 EN 62262 | (NF EN 50102, NF C 20-015) Degrees of protection provided by enclosures for electrical equipment against external mechanical impacts (IK code) |
| IEC 60950-1 EN 60950-1 C 77-210-1 | Safety of information technology equipment |

Linkeo 10" wall-mounting cabinet can be integrated in installations complying with the following standards:

| | |
|----------------------------------|--|
| EN 50173-1 | Information technology - Generic cabling systems |
| EN 50174-1 & 2 C 90-480-1 & 2 | Information technology - Cabling installation |
| ISO IEC 11801 | Information technology - Generic cabling for customer premises |
| NF C 15-100 Partie 4-41 | Low voltage electrical installations - recommendations |
| IEC 60364-4-41 | Low voltage electrical installations - Protection for safety - Protection against electric shock |
| UTE C90-483 | Residential cabling for communication networks |

2. TECHNICAL CHARACTERISTICS

■ 2.1 Index of protection

- IP20 according to IEC EN 60529
Protected against solid objects larger than 12.5 mm in diameter
- IK08 according to IEC EN 62262
Protected against mechanical impact with an energy of 5 joules

■ 2.2 Mechanical performance

- Permissible load: 18 kg

■ 2.3 Design

- End plates and side panels made of 1 mm thick steel + paint
- Back base made of 1.5 mm thick steel + paint
- Door made of 4 mm thick safety glass
- Door hinges made of black-painted steel
- Door bolt made of chrome-plated metal + 2 keys
- Legrand marking by light grey sticker
- 19" uprights made of 1.5 mm thick galvanised steel
- Black plastic brush to clip

■ 2.4 Corrosion resistance

- Corrosive environment class:
C2 according to EN ISO 12944-2,
3K3 according to IEC EN 60721-3-3
- Salt spray test according to ISO 9227 (NSS test) and IEC EN 60068-2-11 (Ka test) for 168 hours:
degree of rusting Ri1 according to ISO 4628-3,
propagation ≤ 1 mm according to ISO 4628-8
- Sulphur dioxide (SO₂) test according to EN ISO 6988 for 48 hours:
degree of rusting Ri1 according to ISO 4628-3,
ISO 10289 annex A class 8 type image

■ 2.5 Properties of the paint coating

- Thermosetting polyester paint applied by electrostatic dusting
- Charcoal grey RAL 7016
- Textured satin appearance
- 60 to 80 µm thick
- Excellent impact and scratch resistance
- Excellent resistance to cleaning agents (excluding strong chlorinated, fluorinated and ketone solvents)
Some products may change the appearance. It is therefore advisable to carry out a test first
- Light exposure test (xenon-arc lamp) according to ISO 4892-2 method B for 500 hours: no visible fading

■ 2.6 Electrical continuity of the conductive parts

Continuity of the cabinet metal conductive parts is achieved by design except for the back base: the equipotential link should be created with the protective conductor supplied.

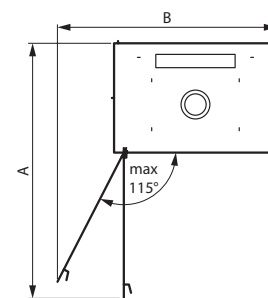
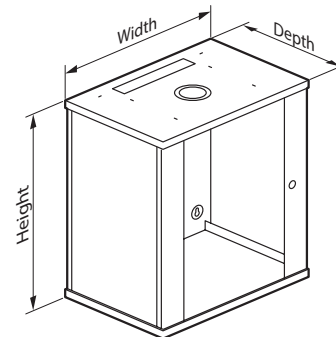
■ 2.7 Weight

Weight excluding packaging: 11kg

3. DIMENSIONS

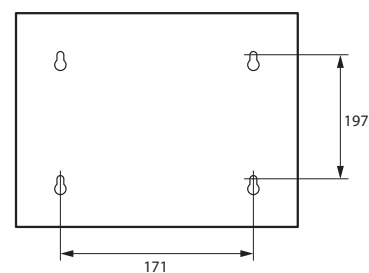
All dimensions are in mm.

■ 3.1 Overall dimensions



| Overall dimensions | | | A | B |
|--------------------|-------|-------|-----|-----|
| Height | Width | Depth | | |
| 359 | 373 | 303 | 602 | 460 |

■ 3.2 Fixing dimensions



3. DIMENSIONS (continued)

3.3 Usable Dimensions

Usable area

| In front side | Between 10" uprights | 10" uprights external side ⁽¹⁾ |
|---------------|----------------------|---|
| 288 x 298 | 221 | 41 |

⁽¹⁾ On both 10" uprights sides.

Usable depth

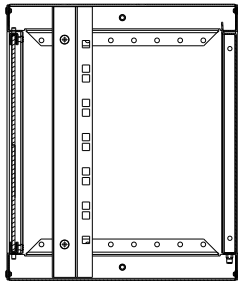
| Below door ^{(1) (3)} | Behind 10" uprights ^{(2) (3)} | Total |
|-------------------------------|--|-------|
| 48 (18 min.) | 237 (267 max.) | 285 |

⁽¹⁾ Between 10" uprights front face and back face of the door

⁽²⁾ Between 10" uprights front face and cabinet back base

⁽³⁾ Can be adjusted in 30 mm steps

Cross-section view:



Cable entries

Usable area of 197 x 50 mm.

Centered in width.

Upper and lower entries, in depth, center axis positioned to 68 mm of the back of the cabinet.

Rear entry, center axis positioned to 137 mm of the bottom of the cabinet.

4. FAN

Linco 10" wall-mounting cabinet can take a fan installed at the top.

| Cat. No. | Output (m ³ /hr) |
|----------|-----------------------------|
| 0 462 60 | 80 |

Characteristics:

- IPXXB (mounted on cabinet with internal protection grid)
- 230 V~ - 50/60 Hz power supply
- Current: 0.125 A
- Power: 18 W
- Equipped with 3 x 1 mm² flexible power supply cord, 2.5 m long
- Dimensions: 120 x 120 x 39 mm
- Fixing screws supplied
- Black

5. 10" FIXED SHELF

- Projecting fixing by screwing onto 2 x 10" uprights

| Cat. No. | Depth (mm) | Usable width (mm) |
|----------|------------|-------------------|
| 0 462 23 | 120 | 216 |

- Height 1U
- Max. load: 10 kg
- Supplied with screws and cage nuts with pins
- 1.2 mm thick steel
- Black RAL 9005

