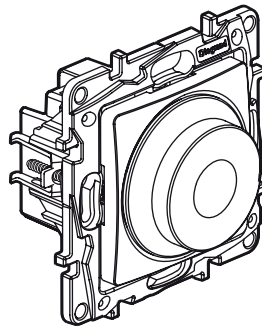


Niloé™ Step
Rotary dimmer 300 W RLC + LEDs

Cat. No(s): 8 640 17 - 8 641 17
 8 643 17 - 8 645 17
 8 646 17 - 8 649 17



8 649 17

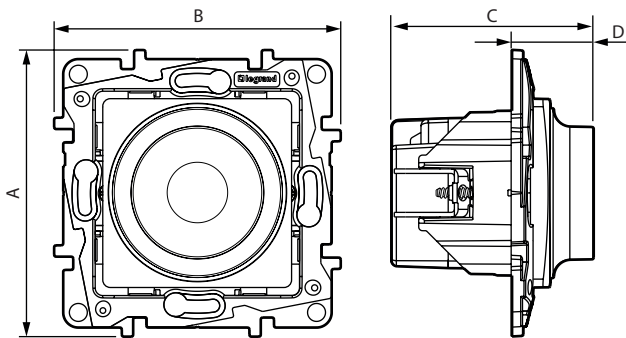
1. USE

Rotary dimmer for all types of lamps.
 Can be associated with one or several push buttons, for ON/OFF or dimming control.
 Integrates memory level function : the light switches ON the same level it has been switched OFF.
 Soft-start and soft-stop lighting (2 s).
 Mechanisms to be equipped with plates.
 Screw or claw mounting.

2. RANGE

Description	Mechanism only	Mechanism + Cover plate				
		White	White	Aluminium	Black	Sand
Rotary dimmer 300 W - 2-wires	8 640 17	8 649 17	8 641 17	8 643 17	8 645 17	8 646 17

3. DIMENSIONS (mm)



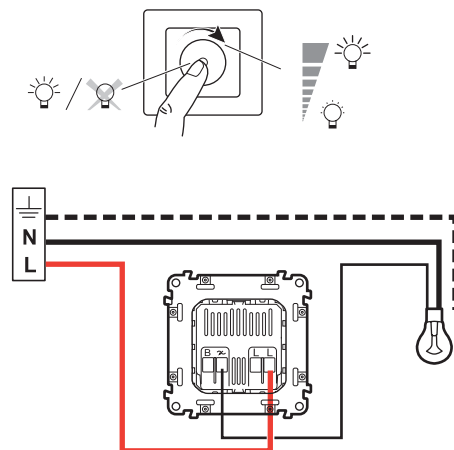
A	B	C	D
76	76	54	22

4. CONNECTION

Number of terminals: 4
 Type of terminals: with screws
 Terminal capacity: 2 x 2.5 mm²
 Stripping length: 8 mm

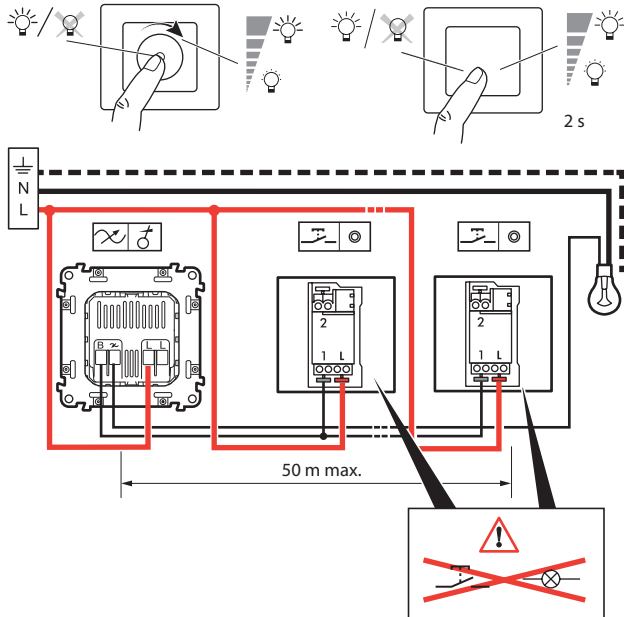
5. INSTALLATION

Simple



5. INSTALLATION (continued)

With push buttons



6. TECHNICAL CHARACTERISTICS

■ **6.1 Mechanical characteristics**

Protection against solid bodies and liquids: IP 40
 Protection against impact: IK 02

■ **6.2 Material characteristics**

Polyglass appearance

Material: - Front cover: ABS

- Halogen free

- UV resistant

Material of the support: - Polycarbonate grey RAL 7037 + 10 % glass fiber
 - Halogen free

Self-extinguishing:

+ 850° C / 30 s for insulating parts holding live parts in place

+ 650° C / 30 s for other parts made of insulating materials.

■ **6.3 Electrical characteristics**

Voltage: 100 to 240 V~

Frequency: 50-60 Hz

Standby consumption: 0.2 W

■ **6.4 Climatic characteristics**

Storage temperature: - 10° C to + 70° C

Use temperature: 0° C to + 35° C

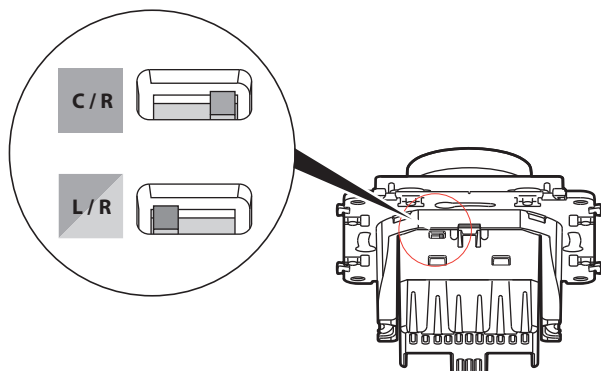
6. TECHNICAL CHARACTERISTICS (continued)

● **Load table**

		R		L		C/L			
200 V / 240 V	Max.	300 W	300 W	300 VA	300 VA	300 VA	300 VA	75 W or 10 lamps max.	75 W or 10 lamps max.
	Min.	5 W	5 W	5 VA	5 VA	5 VA	5 VA	5 W	5 W
100 V / 200 V	Max.	150 W	150 W	150 VA	150 VA	150 VA	150 VA	37 W or 10 lamps max.	37 W or 10 lamps max.
	Min.	5 W	5 W	5 VA	5 VA	5 VA	5 VA	5 W	5 W

(*)Use only with transformers designed to function with electronic switches.

● **Setting C or L**



7. MAINTENANCE

Surface cleaning with a cloth.

Do not use: acetone, tar remover, trichloroethylene.

Maintenance with the following products: Hexane (EN 60669-1), Methylated spirit, Soapy water, Diluted ammonia, Bleach diluted to 10%, Window-cleaning products.

Caution: A preliminary test should be carried out if other specific cleaning products are to be used.

8. STANDARDS AND APPROVALS

Compliance with standards of installation and manufacturing.
 Refer to e. catalogue.