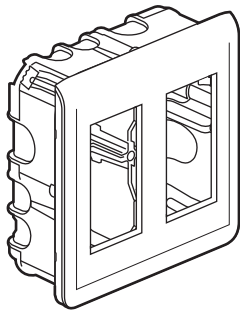
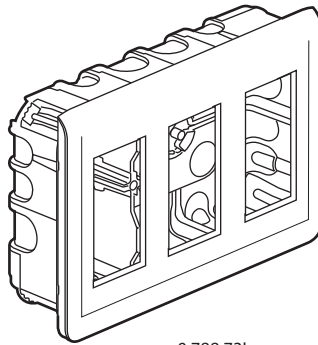


Mosaic™ Flush-mounting workstation kits

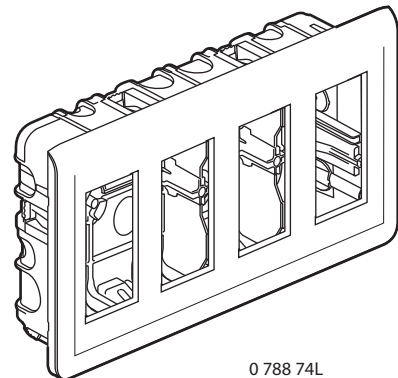
Cat. No(s): 0 788 72L/73L/74L - 0 790 72L/73L/74L



0 788 72L



0 788 73L



0 788 74L

1. DESCRIPTION

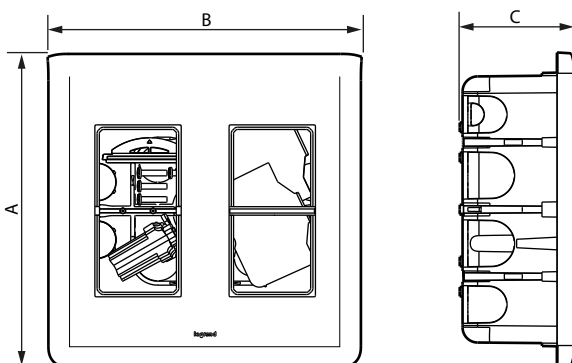
Ready-to-use kits equipped with:

- Multimaterial flush-mounting box depth 50 mm, with knockout cable entries Ø 20 and 25 mm.
- 4-module individual supports for tool-less installation of Mosaic programme mechanisms (2 optional screws supplied)..
- Removable spacer for integration of 1-gang mechanisms.
- Front plate.
- Separation partition for high current and low current.

2. RANGE

Flush-mounting workstation kits	White	Alu
For 2 x 4 modules	0 788 72L	0 790 72L
For 3 x 4 modules	0 788 73L	0 790 73L
For 4 x 4 modules	0 788 74L	0 790 74L

3. DIMENSIONS (mm)



Cat. Nos	A	B	C
0 788 72L 0 790 72L	166	166	60.5
0 788 73L 0 790 73L	166	237	60.5
0 788 74L 0 790 74L	166	318	60.5

4. TECHNICAL CHARACTERISTICS

■ 4.1 Mechanical characteristics

Protection against solid bodies and liquids: IP 20
 Protection against mechanical impact: IK 04

■ 4.2 Material characteristics

Box: PC halogen free
 Plate: ABS White RAL 9003 color Polyglass appearance
 ABS painted Aluminium color glitter varnished
 Subplate: PC opalescent
 Removable spacer: PP reinforced 30 % glass fiber
 Support: PC reinforced 20 % glass fiber - Colour Grey RAL 7016
 Halogen free
 UV resistant
 Self-extinguishing: 650° C / 30 s

■ 4.3 Climatic characteristics

Storage temperature: - 5° C to + 70° C
 Use temperature: - 5° C to + 35° C

5. CLEANING

Surface cleaning with a cloth.
 Do not use: acetone, tar remover, trichloroethylene.

Resistance to the following agents: Hexane (EN 60669-1), Methylated spirits, Soapy water, Diluted ammonia, Diluted pure bleached 10%, Glass cleaning substance, Pre-impregnated wipes.

Caution: A preliminary test should be carried out if other specific cleaning products are to be used.

6. SPECIAL USE

The plates must not be painted.

7. ACCESSORIES

0 801 29	Din-rail for 2-module modular device 17.5 mm
0 788 40	Cover-plate for 2-module modular device 17.5 mm with removable transparent protection cap, 4 modules-