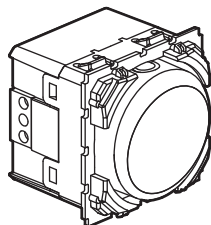
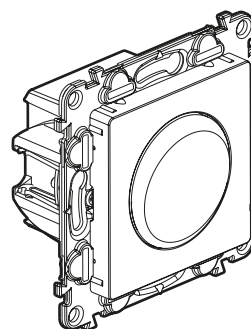


Céliane™ - Valena Life™ Removable self lamp

Cat. No(s): 0 670 68 - 7 520 69 - 7 521 69 - 7 522 69



0 670 68



7 520 69

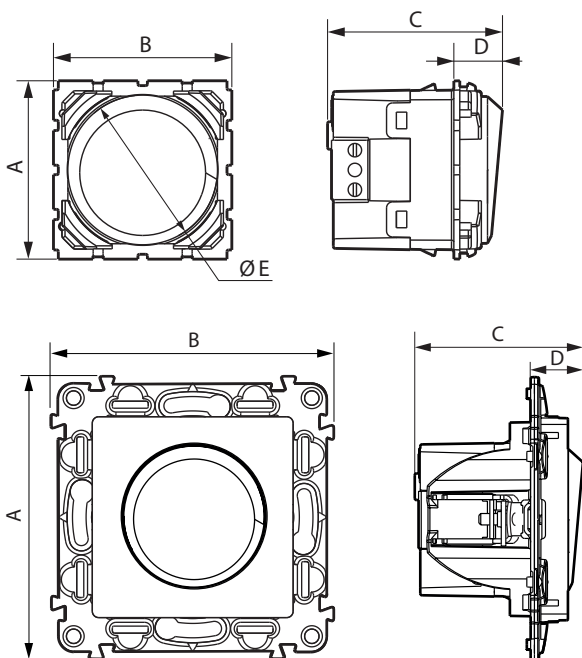
1. USE

Removable self lamp.
 This lamp lights up automatically in case of power failure or when extracting from its base.
 Autonomy 2 h use.

2. RANGE

Description	Céliane	Valena Life
Removable self lamp with LED. Can be used as a torch (with O/I button). Extraction of the lamp by simply pressing.	0 670 68	7 520 69 White
		7 521 69 Ivory
		7 522 69 Aluminium

3. OVERALL DIMENSIONS (mm)



3. DIMENSIONS (mm) (continued)

Cat. Nos	A	B	C	D	ØE
0 670 68	45	45	44	12.5	38
7 520 69 - 7 521 69 7 522 69	75	75	44	13.5	38

4. CONNECTION

Screw terminals
 Screwdriver flat 3.5 mm
 Terminal capacity: 1 x 2.5 mm² or 2 x 1.5 mm²
 Stripping length: 8 mm

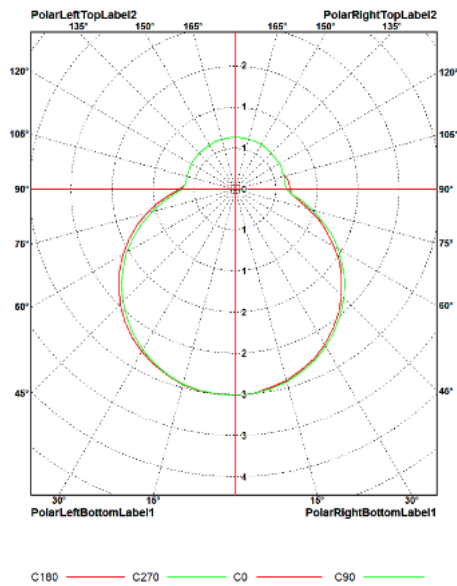
5. TECHNICAL CHARACTERISTICS

- **5.1 Protection index**
 Penetration by solid bodies/liquid: IP 21 D
 Impact test: IK 04
- **5.2 Material characteristics**
 Base: ABS
 Diffuser: PC (opallescens)
 Halogen free
 UV resistant
 Material of the support (Valena):
 - Polycarbonate grey RAL 7037 - Halogen free
 - Cover colour (Valena): White RAL 9003 - Ivory RAL 1013
 Self-extinguishing:
 + 850° C / 30 s for insulating parts holding live parts in place.
 + 650° C / 30 s for other parts made of insulating materials
- **5.3 Electrical characteristics**
 - Voltage: 230 V
 - Frequency: 50/60 Hz
 - Luminous flux:
 - Mode ON: 5 lm
 - Mode BOOST: 19 lm
 - Battery NI-MH: - 3.6 V - 80 mA
 - charging time: 48 h

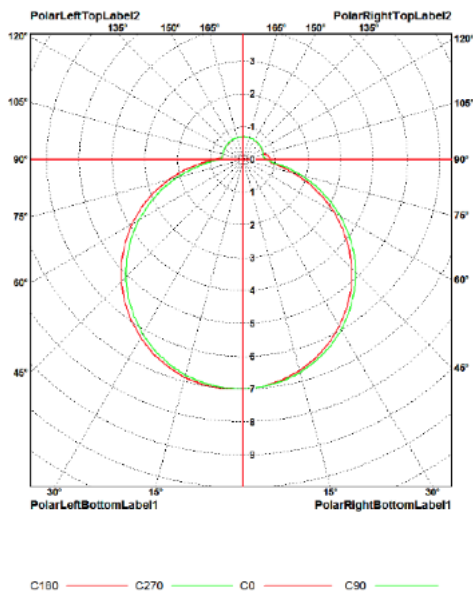
5. TECHNICAL CHARACTERISTICS (continued)

■ **5.4 Photoelectric characteristics**

Normal



Boost



■ **5.4 Climatic characteristics**

Storage and usage temperature: - 5° C to + 35° C

6. CLEANING

Surface cleaning with a cloth.
Do not use: acetone, tar remover, trichloroethylene.

Caution: A preliminary test should be carried out if other specific cleaning products are to be used.

Battery recycling caution.

7. STANDARDS AND APPROVALS

- EN60598-1
- EN60598-2-2
- EN60825-1
- EN61547
- EN61000-3-2
- EN61000-3-3
- EN55015